

PRODUCT DATA SHEET

BRITTON[®]



PRODUCT CODE

CT00003UCW

RANGE

Counter Basins

DESCRIPTION

Round Countertop Basin 400 0TH Gloss White

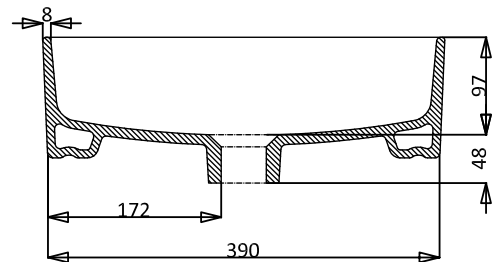
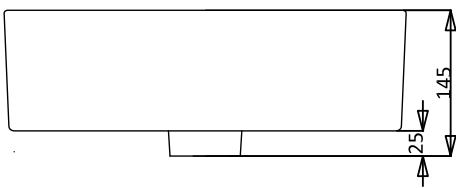
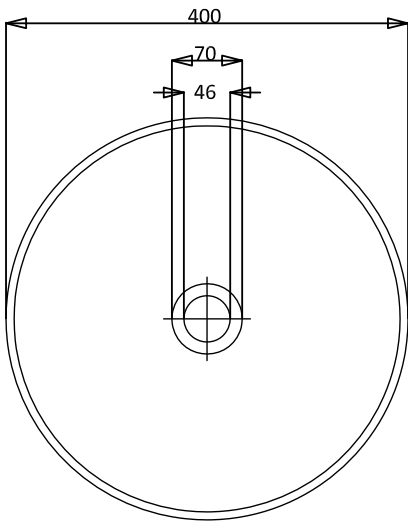
CATEGORY	Sanitaryware
WARRANTY DETAILS	Lifetime*
COLOUR	Gloss White
FINISH APPLICATION	Glazed
PRIMARY MATERIAL	Fine Fire Clay
INSTALL TYPE	Furniture Mounted
PRODUCT WIDTH MM	400
PRODUCT HEIGHT MM	145
PRODUCT LENGTH MM	400
PRODUCT NET WEIGHT KG	5.95
STANDARDS	EN 31:2011 EN 14688:2015

TAP HOLES	0TH
FIXINGS INCLUDED	No
OVERFLOW	No
BASIN WASTE SIZE	45mm

TECHNICAL DIMENSIONS

Dimensions in mm unless otherwise specified.

Tolerances (per material type) apply.



SPARES LIST

Only the parts labelled are available as spares.

NO SPARES AVAILABLE