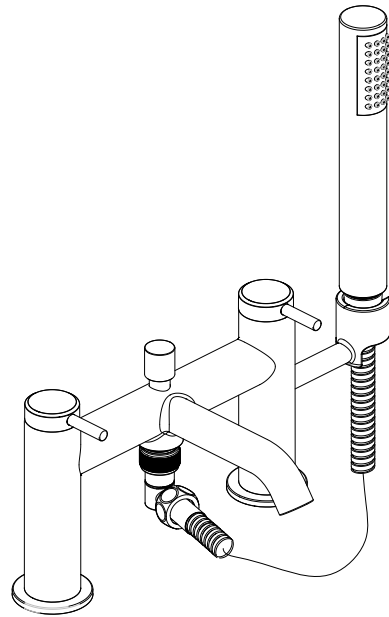


INSTALLATION INSTRUCTIONS

**Hoxton Bath / Shower Mixer 2th
Chrome / Matt Black / Brushed Brass**

HOX.008CP/HOX.008MB/HOX.008BB



Important

- We recommend that this product is installed by a qualified professional contractor. Such as a plumber who is certified by NVQ (National Vocational Qualification) or SNVQ (Scottish National Vocational Qualification) Level 3.
- Please check this product immediately to ensure that it has not been damaged and is complete. Before installation, please make sure this product is the correct model and you have all the parts required for installation and using.
- All the taps should be supplied with hot and cold water at balanced pressure. If not, then the mixing function will not work correctly. It is necessary to fit non-return valves on both hot and cold feeds pipe. These are not supplied.
- Please flush the water system to ensure that no metal swarf, solder, and other impurities can enter the taps.
- Turn off water supply before commencing work, this should be done at the isolating valves of inlet feeds if fitted or main stopcock.
- Please read these instructions carefully and keep it for future reference.

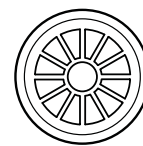
Working pressure

The tap is suitable for both high and low pressure installation. The suggested minimum operating water pressure is 0.5 bar. The suggested maximum operating water pressure is 5 bar. Where the operating water pressure is above 5 bar, then a pressure reducing valve must be fitted.

Straightener

Taps are all fitted with a flow straightener.

Please use the key to remove flow straightener from spout if required.



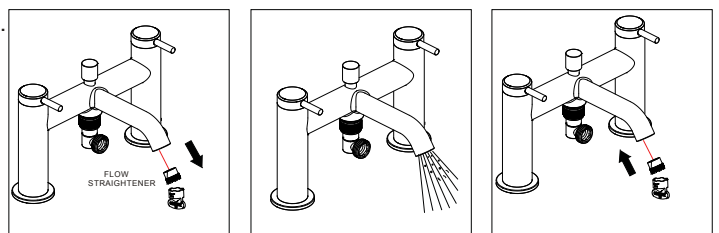
FLOW STRAIGHTENER

Cleaning

Before use: Unscrew the flow straightener and allow the water to run freely for 5 minutes. Then screw the flow straightener back in place.

Periodically: Unscrew the flow straightener and remove. Rinse it with running water until any loose debris is cleared.

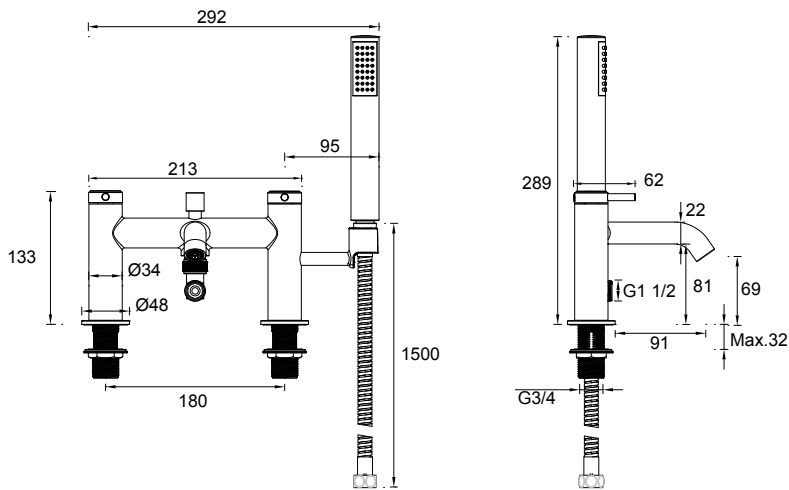
Then replace the flow straightener and tighten.



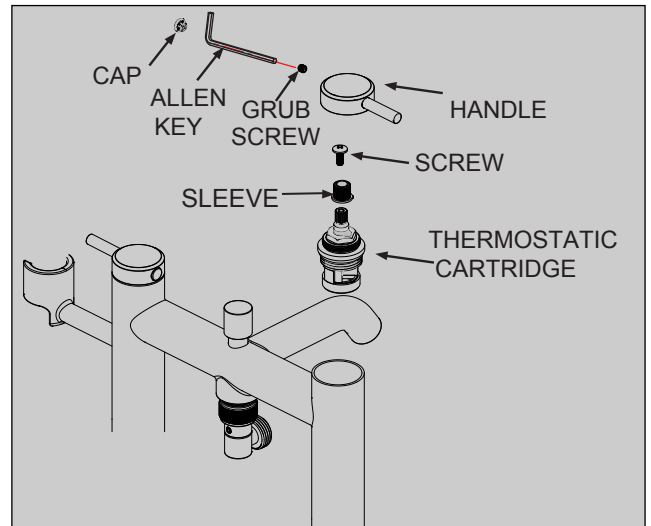
Maintenance

We do NOT recommend you use any household cleaners to clean the product. Because these cleaners change substance or formula too frequently. The product should be always cleaned only with soapy water and rinsed with clean water and dried with a soft cloth.

Dimension



Cleaning Cartridge

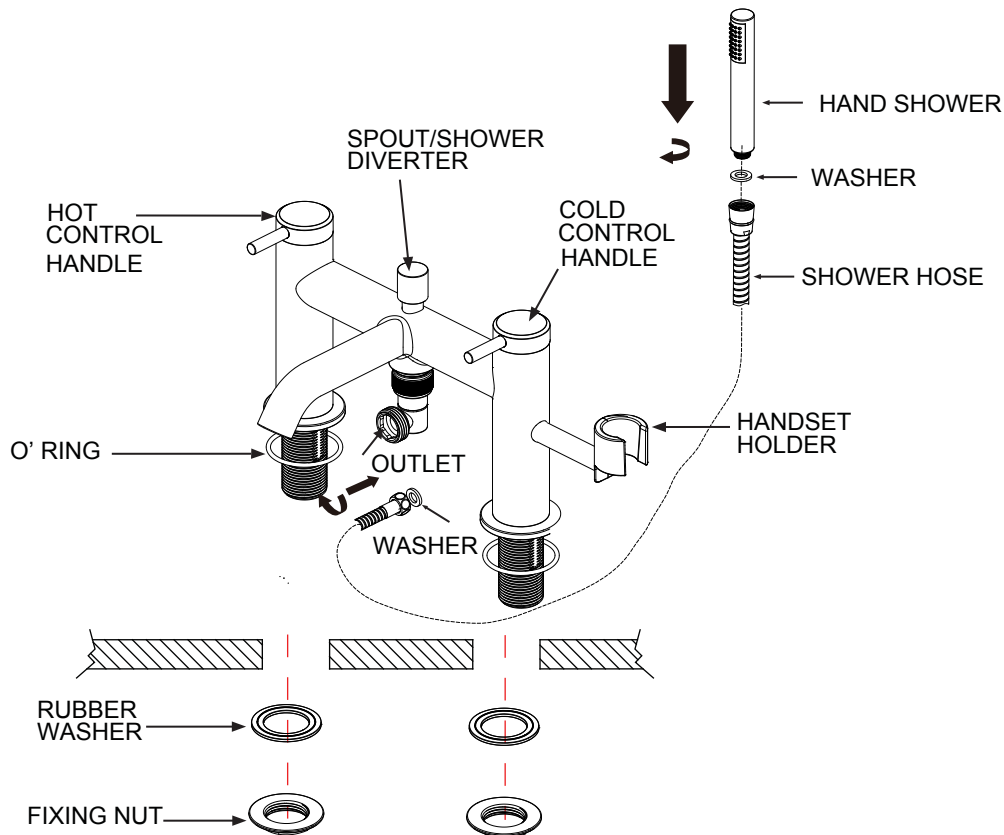


To remove the cartridge.

⚠ First shut off the water supply to the tap.

- 1: Unscrew the handle lever and then use a suitable hex key (not supplied) to loosen the grub screw, but do not remove it.
- 2: Pull off the handle body. Loosen the cartridge using an adjustable spanner (not supplied).
- 3: Take the cartridge out and wash it with clean running water.
- 4: Make sure any trapped debris has been removed.
- 5: Dry and lightly grease the seal (only use silicone grease).
- 6: Refit the cartridge followed by the handle.

Installation



- 1: Remove the rubber washers and fixing nuts from the tails of the tap.
- 2: Insert the tails in two tap holes on bath. Make sure the O' rings are correctly positioned into the groove in the underside of the tap body.
- 3: Tighten the rubber washer & the fixing nut from the under-side of the bath.
- 4: Joint the hose to the outlet, and at the another end screw together with the shower handset.
- 5: Connect the water supply pipe to the tails of tap with the hot water on the left and cold water on the right.