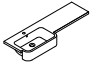
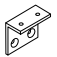


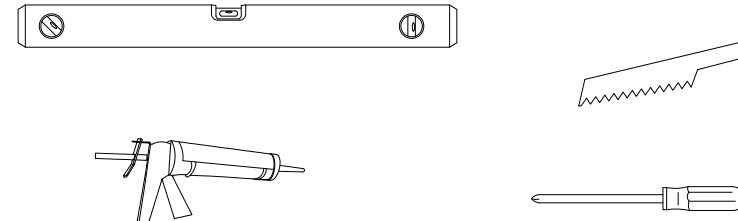


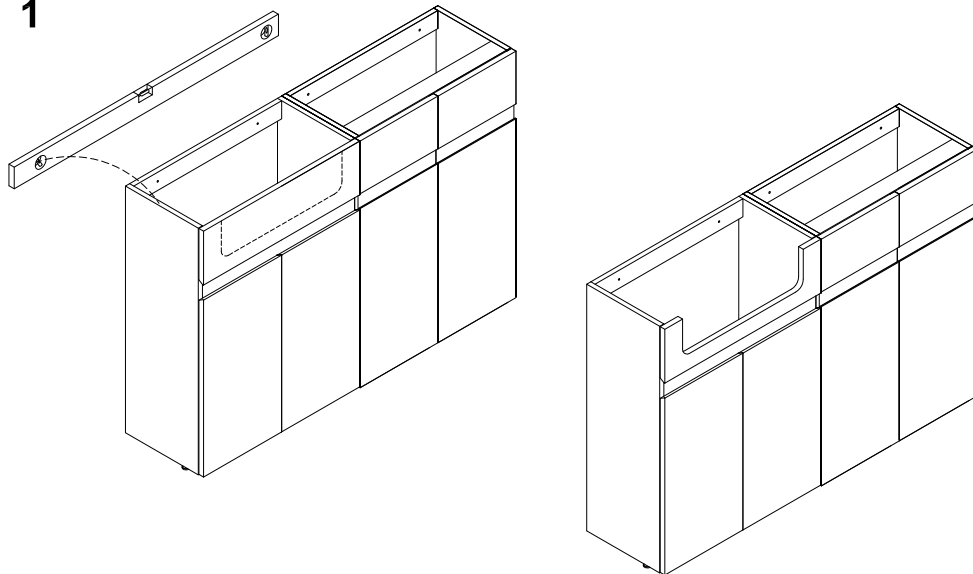
**Parts Supplied:**

Item	600mm Quattrocast Basin QTY	1200mm Quattrocast Basin L/R QTY	1500mm Quattrocast Basin L/R QTY
 (Basin diagram only for reference) Basin	1	1	1
 Bracket	2	3	3
 M4*25 screw	0	3	3
 M4*14 screw	8	12	12

**Tools Required:**

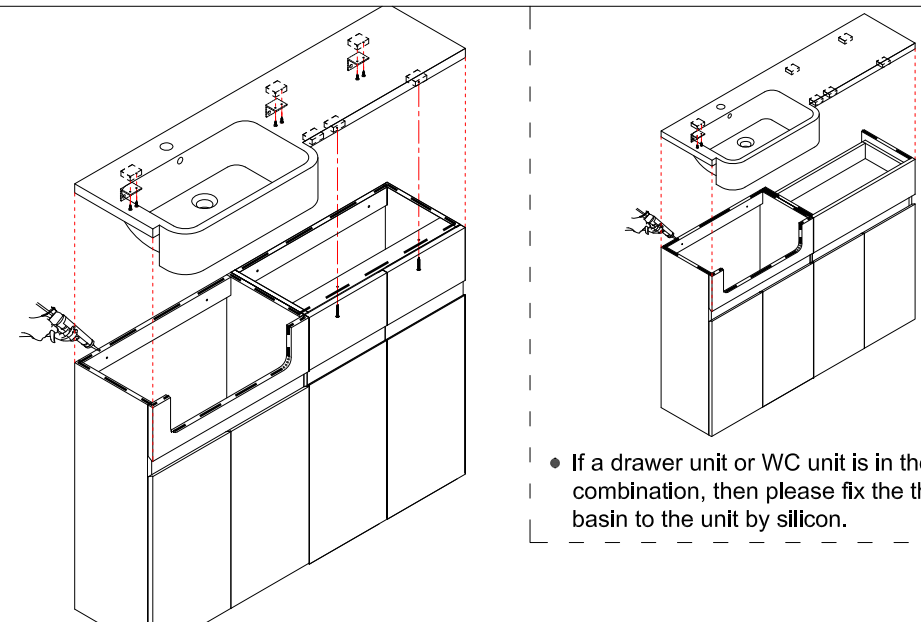


**1**



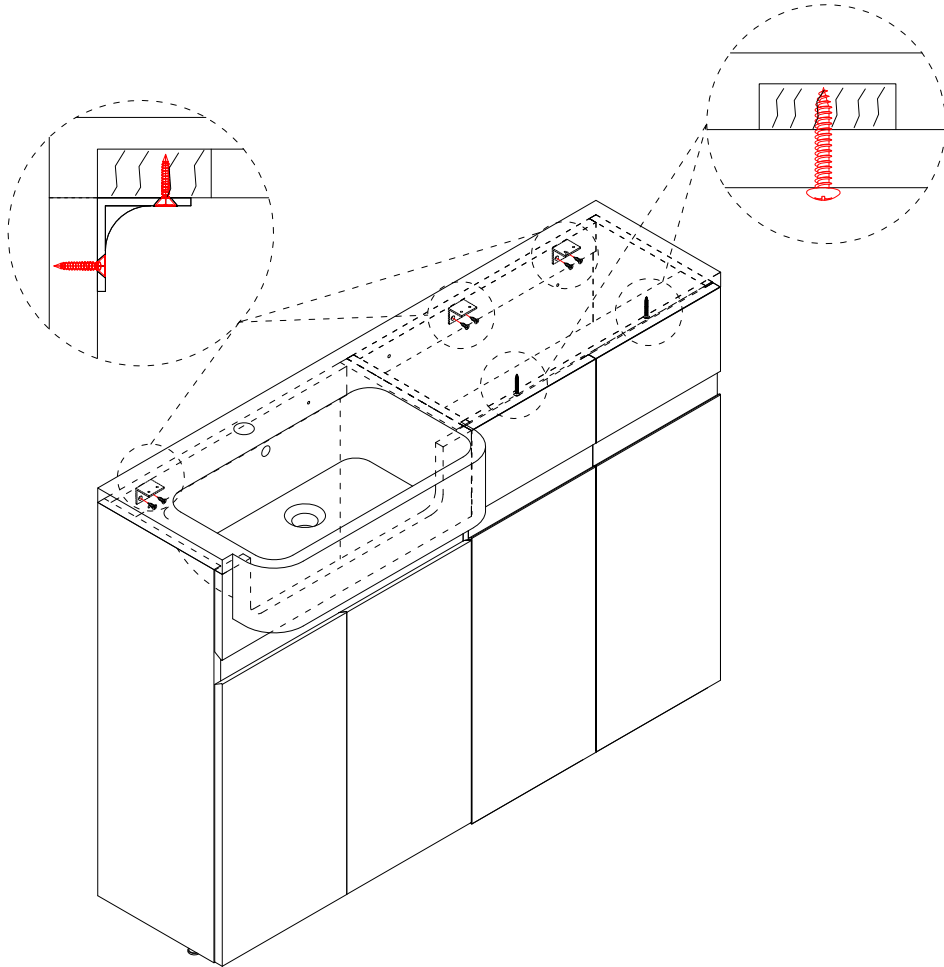
- Make sure that the cabinets are level, and flush.
- Align the template with the front panel of the basin unit. Following the fixing instructions on the template cut the front panels to allow the basin to be fitted in position. It is recommended to treat the cut surface against moisture penetration and subsequent damage.

**2**



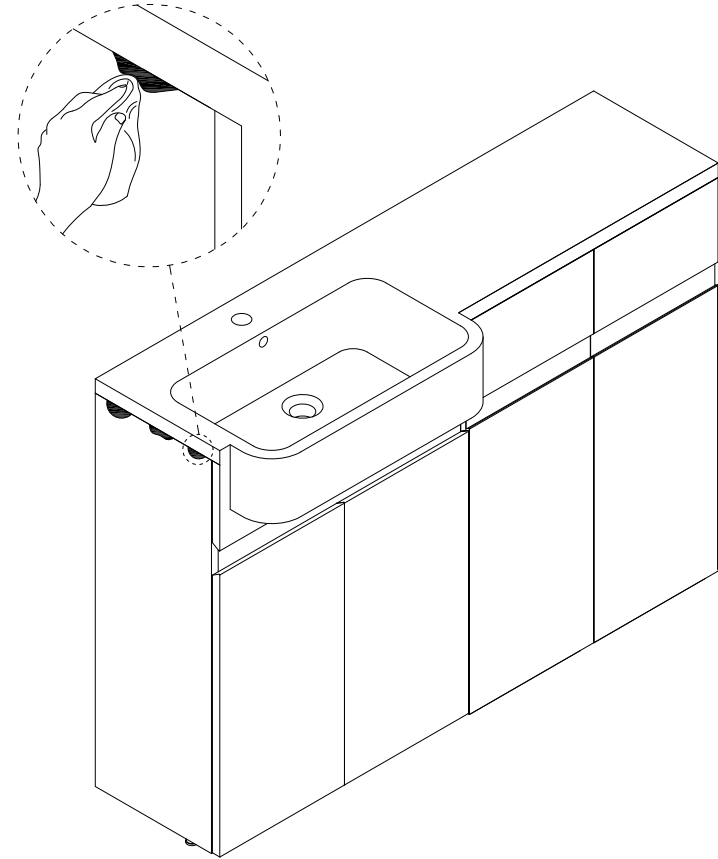
- Place silicon seal to top surfaces where basin sits, and back edge of basin to wall. Position the basin on the cabinet and mark on the wooden blocks the locations for fixing the angle brackets. Apply a bead of silicone to hold the basin in position and to prevent water collecting between the basin and the cabinet. If water is allowed to collect between the basin and the cabinet it can cause damage to the furniture panels.

3



• Use the brackets and fixing screws to secure the Basin as shown in the diagrams.

4



• The Basin should be cleaned using soft damp cloth with common detergent. Do not use any abrasive agents.

## Care and Maintenance

### Please leave with the householder

This basin or counter top is made of Polymarble and should only be cleaned using a soft damp cloth. Do not use bleach or any abrasive cleaner. The surface can be damaged by very hot water. Do not pour boiling water onto it or stand very hot objects on it.