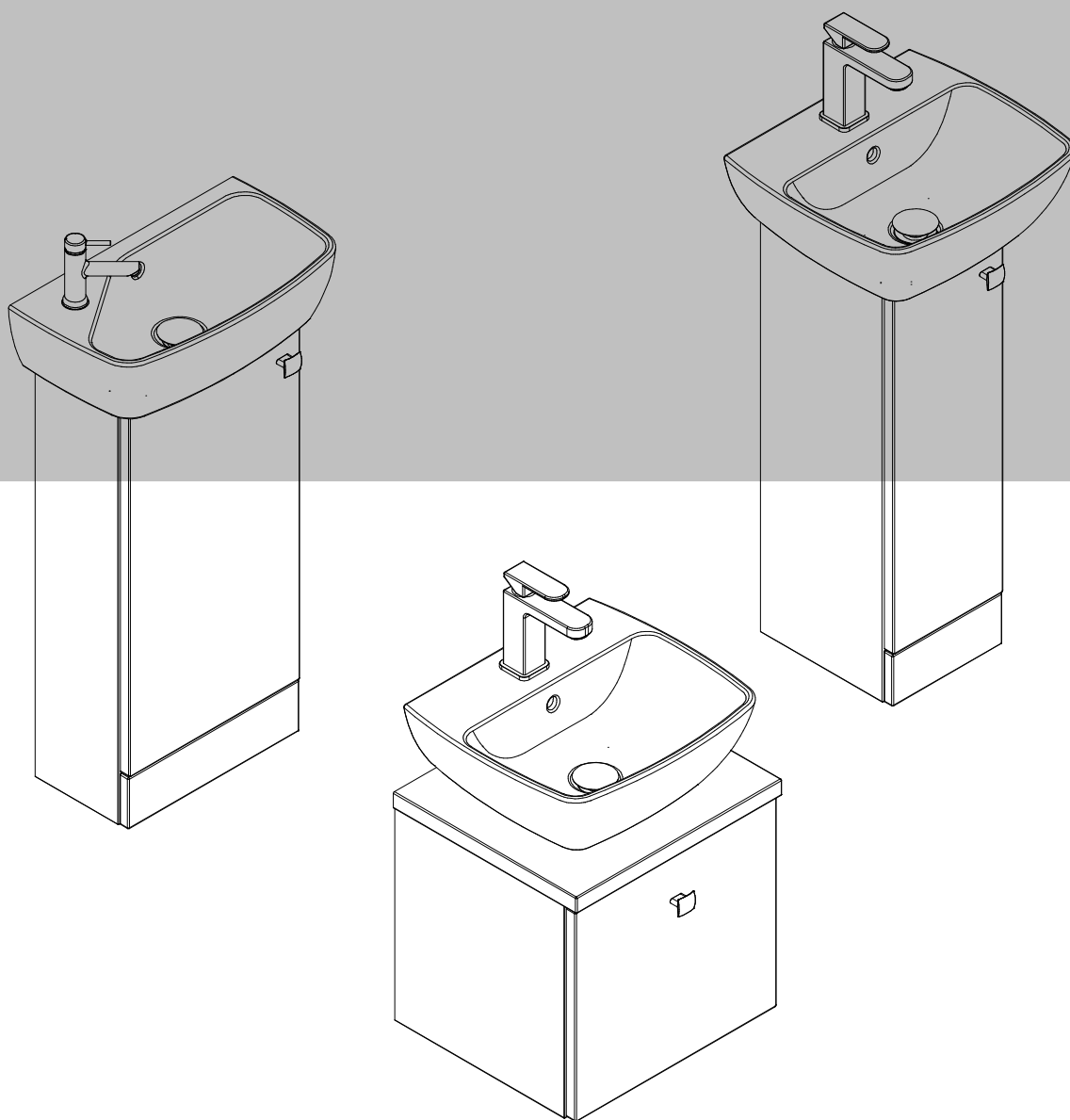


Bathroom Furniture Installation Manual



thirty6

Contents

1.0 Thirty6 Units

1.01 Unit Fitting Requirements - Identification

2.0 Fitting Instructions

2.01 Handle Drilling

2.02 Wall Bracket Fitting & Adjustment

2.03 Door Fitting and Adjustment

2.04 Drawer Front Fitting & Adjustment

2.05 Drawer Box Removal & Fitting

2.06 Removable Panels

2.07 Removable Plinths & Base Unit Feet

2.08 Countertops & Basins

2.09 Closet Units

2.10 Mirrored Wall Unit - Mounting Brackets

The Thirty6 Range, Installation Guidance.

We recommend that all installation work should be undertaken by a competent fitter or joiner.

All electrical fitting must be undertaken by a qualified electrician and all plumbing must be undertaken by a competent qualified plumber.

IMPORTANT.

Always check for electrical wires, water pipes or other services before drilling into walls.

Make sure any fixings into the wall are secure fixing and the proper fixings are used for the material they are being screwed into.

All cut edges of panel must be thoroughly sealed using a suitable water tight sealer.

Installation Sequence.

1. Turn off all hot and cold services at the appropriate positions
2. Locate waste outlets
3. Fix base units to the wall
4. Fit sanitaryware
5. Fit countertops
6. Fit wall cupboards where appropriate
7. Connect and check plumbing

1

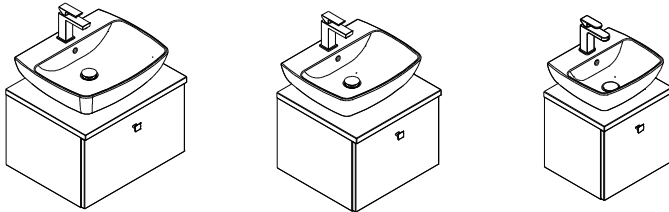
Thirty6 Units

1.01 Unit Fitting Requirements - Identification

1.01 Unit Fitting Requirements - Identification Fitting

1.01

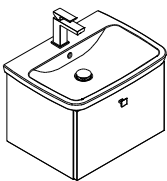
Wall Hung Units Single Drawer Basin Units*



Unit codes See Tasks Sections

Wall Hung	2.01
FT6BUWH40_	2.02
FT6BUWH50_	2.04
FT6BUWH60_	2.05
	2.06
	2.08

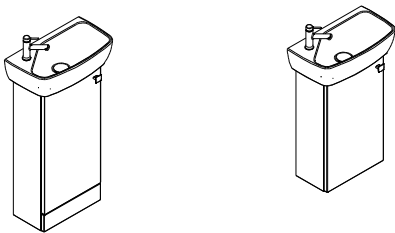
Wall Hung Units Countertop Unit



Unit codes See Tasks Sections

Wall Hung	2.01
FT6CTBUWH_	2.02
	2.04
	2.05
	2.06
	2.08

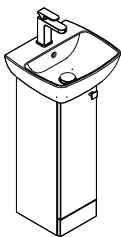
Base & Wall Hung Units Cloakroom Basin Units



Unit codes See Tasks Sections

Wall Hung	2.01
FT6SPBUWH_	2.02
	2.03
Floor Standing	2.06
FT6SPBUFS_	2.07
	2.08

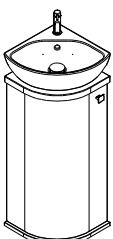
Base & Wall Hung Units Pedestal Basin Units



Unit codes See Tasks Sections

Floor Standing	2.01
FT6BUFS40_	2.02
	2.03
	2.06
	2.07
	2.08

Base Units Convex Corner Basin Units



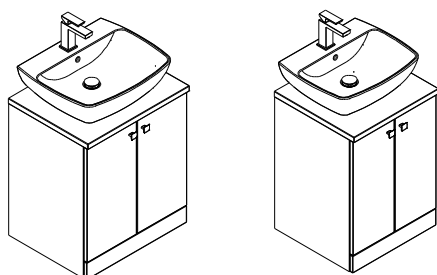
Unit codes See Tasks Sections

Floor Standing	2.01
FT6CBUFSW	2.02
	2.03
	2.08

*Units supplied without Countertops

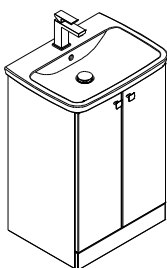
1.01 Unit Fitting Requirements - Identification Fitting

Base Units Doored Basin Units*



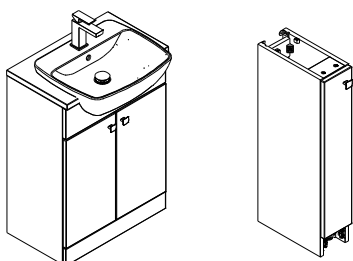
Unit codes	See Tasks Sections
Floor Standing	2.01
FT6BUFS50_	2.03
FT6BUFS60_	2.06
	2.07
	2.08

Base Units Countertop Unit



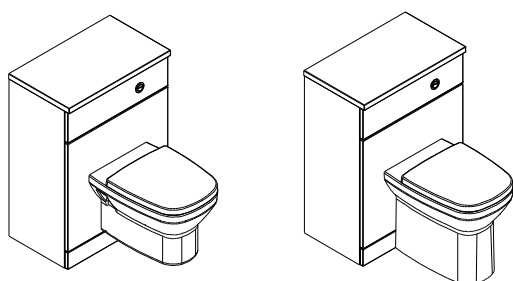
Unit codes	See Tasks Sections
Floor Standing	2.01
FT6CTBUFS_	2.03
	2.06
	2.07
	2.08

Base Units Semi Countertop Basin Units**



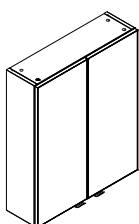
Unit codes	See Tasks Sections
Floor Standing - Fitted	2.01
FT6SCBUFSF60_	2.06
	2.07
Floor Standing - Modular	2.08
FT6SCBUFSM60_	
Floor Standing - Fitted	
FT6INF150_ 150 Unit	

Base Units Closet Units Back to Wall & Wall Hung**



Unit codes	See Tasks Sections
Floor Standing - Fitted	2.06
FT6BTWCU_	2.07
FT6WHCU_	2.09
Floor Standing - Modular	
FT6BTWCUM_	
FT6WHCUM_	

Wall Hung Units Mirrored Wall Unit



Unit codes	See Tasks Sections
FT6MWC600_	2.10

**All modular units supplied without Countertop and with Plinths.
All Fitted units supplied without Countertops and Plinths.

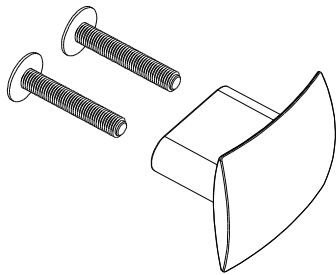
2

Fitting Instructions

- 2.01 Handle Drilling
- 2.02 Wall Bracket Fitting & Adjustment
- 2.03 Door Fitting and Adjustment
- 2.04 Drawer Front Fitting & Adjustment
- 2.05 Drawer Box Removal & Fitting
- 2.06 Removable Panels
- 2.07 Fitting Plinths & Base Unit Feet
- 2.08 Countertops & Basins
- 2.09 Closet Units
- 2.10 Mirrored Wall Unit - Mounting Brackets

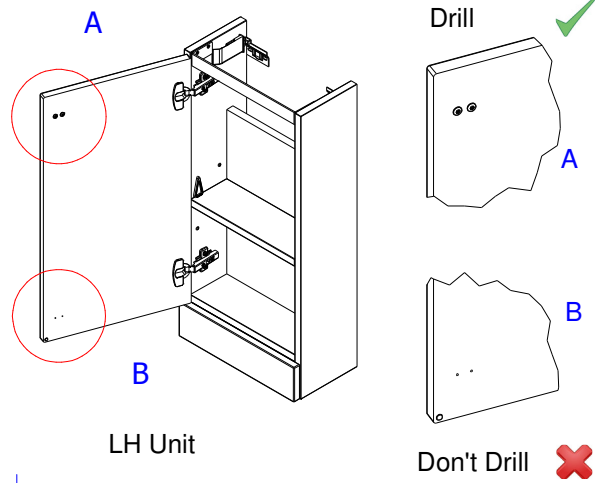
2.01 Handle Drilling Fitting

01



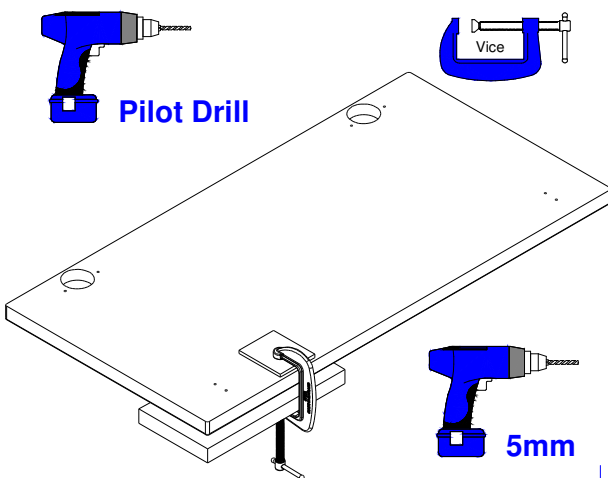
Each unit contains either one or two Square Chrome Knob handles with two M4 screws per handle.
The Units doors and drawers are pilot drilled to take the this handle.

02



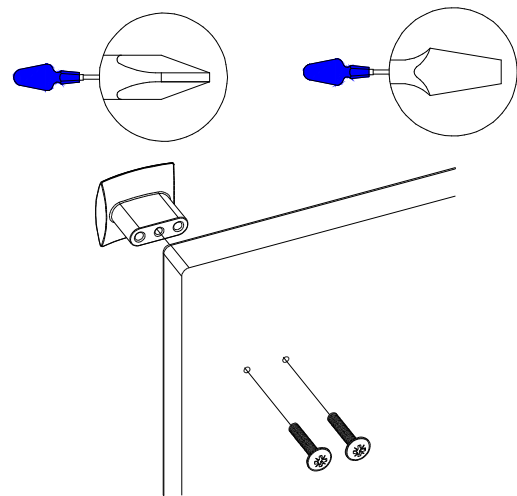
Important note - On single doored units the doors are universal until the pilot holes are drilled through for the handle.
Please make sure you drill the correct set of holes in the door to achieve either a LH or RH unit.

03



To avoid damaging the face of the door clamp a block of chipboard / wood to the front of the door, use a smaller block to stop the clamp damaging the back of the door
Drill through with a pilot drill and then with a 5mm drill

04



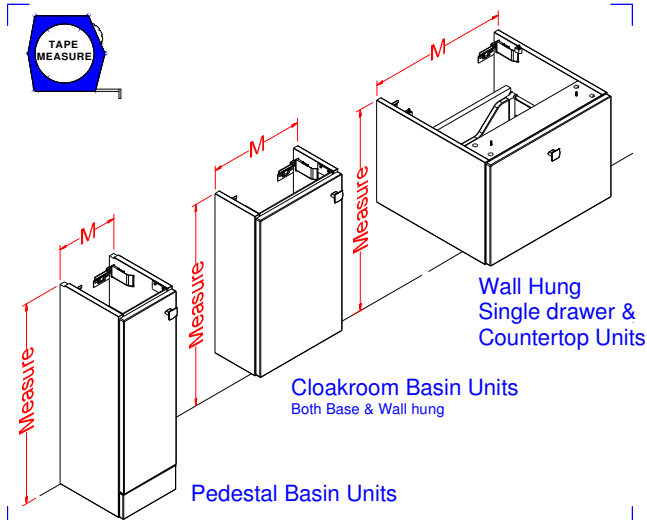
Screw in place using appropriate screwdriver

2.02 Wall Bracket Fitting & Adjustment Fitting



2.02

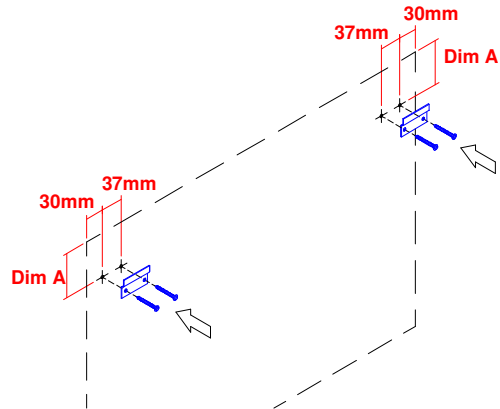
01



Determine the height of the unit required, taking into account the basin height when fitted. Mark the position of the units to the wall. The dimensions are to the outer edges of the unit carcass as shown.

02

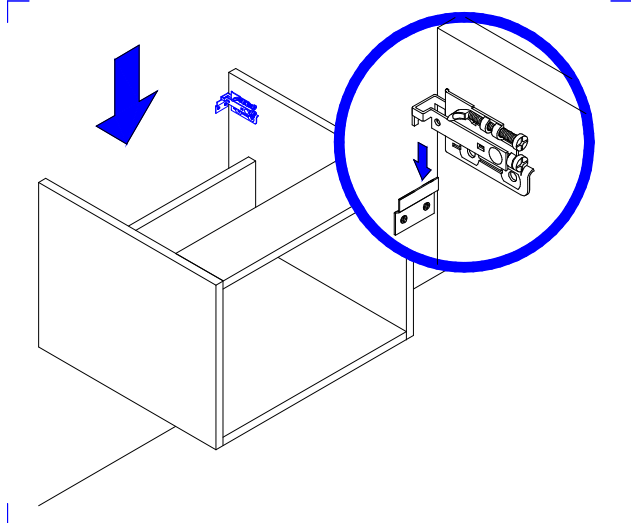
Wall Hung - Single drawer Unit - Dim A = 55mm
 Wall Hung - Countertop Drawer Unit - Dim A = 63mm
 Cloakroom Basin Units, both Base & Wall hung - Dim A = 63 mm
 Pedestal Basin Units - Dim A = 63 mm



Ensure the measurements are marked from the top outer edge of the unit.

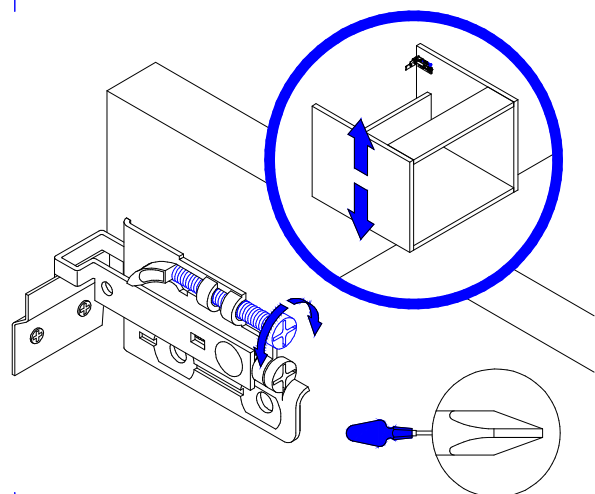
IMPORTANT - the wall fixings are not supplied .
 Use the correct fixings to suit the wall construction.

03



Hook the unit onto the wall brackets.

04



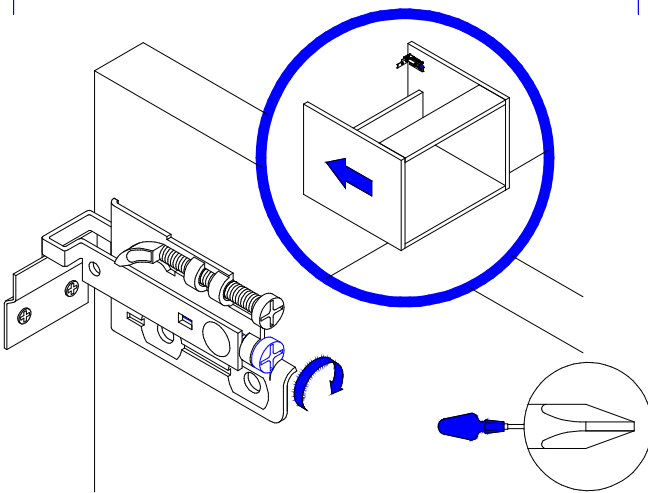
Adjust the height and level of the unit by turning the upper screw.

2.02 Wall Bracket Fitting & Adjustment Fitting

thirty6

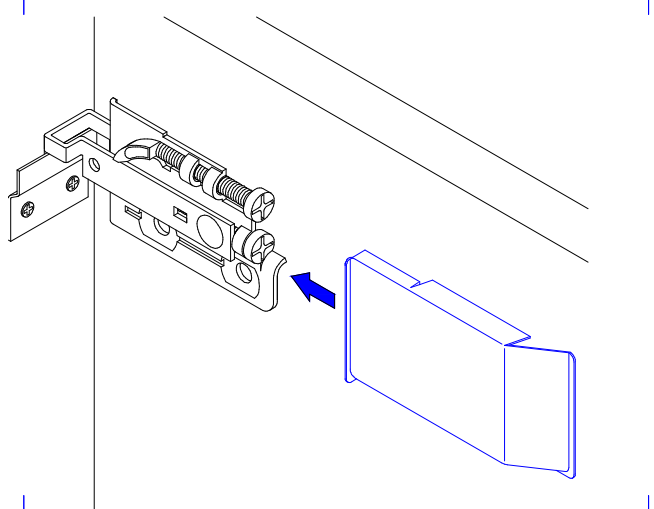
2.02

05



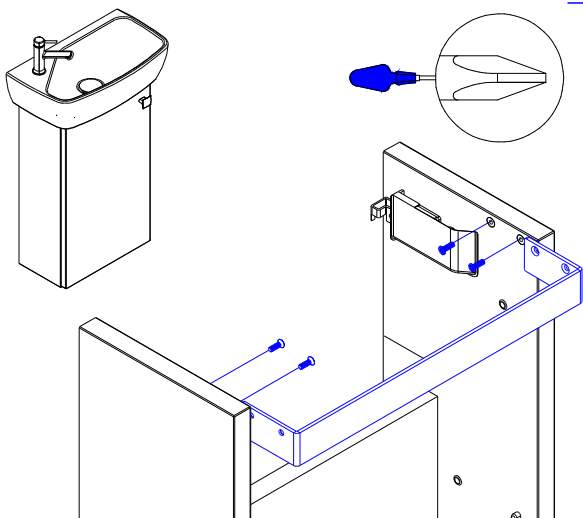
Fix the unit to the wall by tightening the lower screw.

06



Apply the cover caps to conceal both the hanging brackets.

07

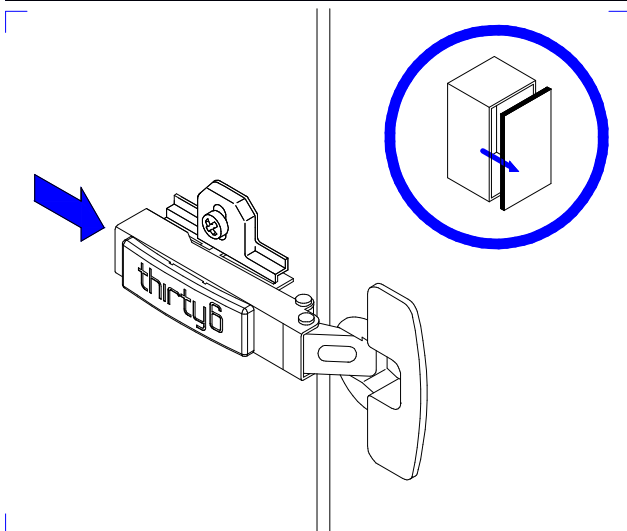


On the Cloakroom Units the Front Rail needs to be removed to be able to access the cover plate.

2.03 Door Fitting and Adjustment Fitting

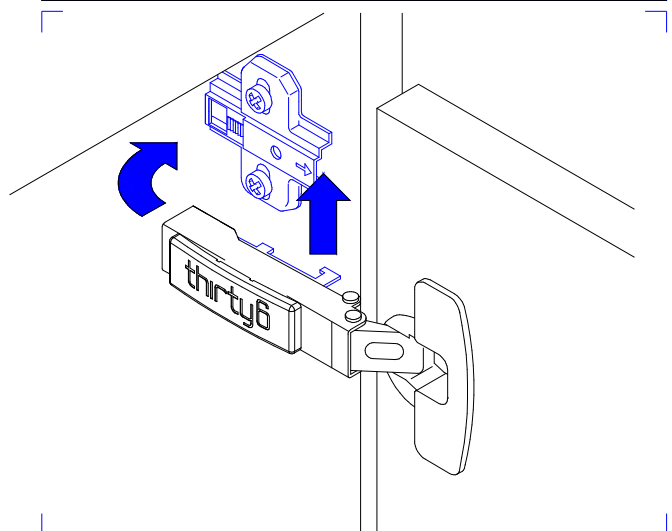
thirty6

01



To remove the door front and hinges , firmly press the button on the back of the hinge whilst gently pulling the door away from the unit.

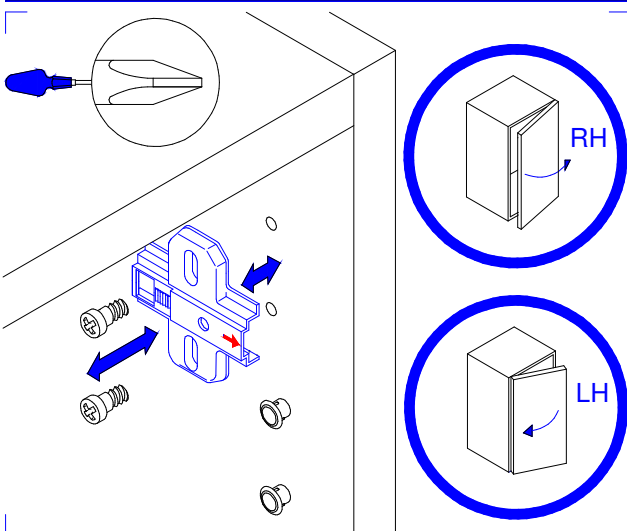
02



Attach the door to the unit by clipping the hinges onto the hinge mounting plates.

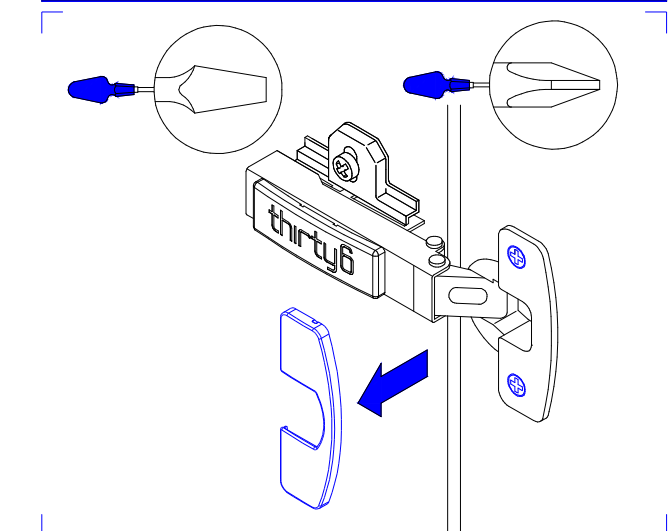
Push the hinge back and it will click in place.

03



To change the handing of the door unscrew the hinge mounting plate.
Swap the cover caps from the opposite side.
Screw the hinge plate to the opposite side with the arrow on the hinge plate pointing to the outside of the unit.

04



To remove the door only, the hinge cup cover cap needs to be gently eased away using a small thin screwdriver.

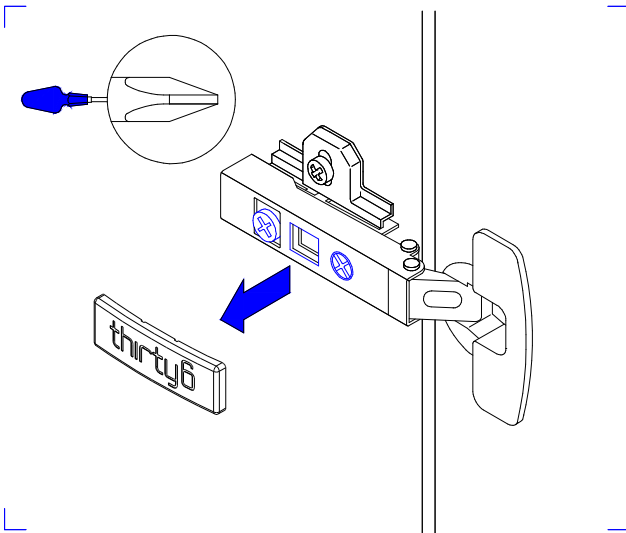
This exposes the screws that fix the door.

2.03 Door Fitting and Adjustment Fitting

thirty6

2.03

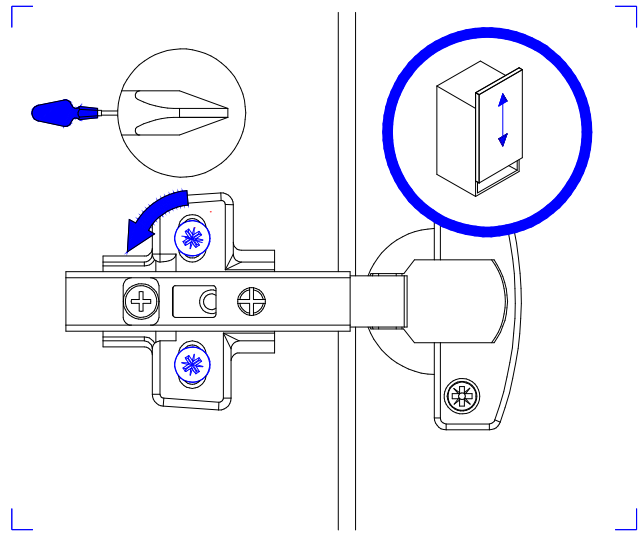
01



To adjust the door the Thirty6 hinge cover cap needs to be gently eased away using a small thin screwdriver.

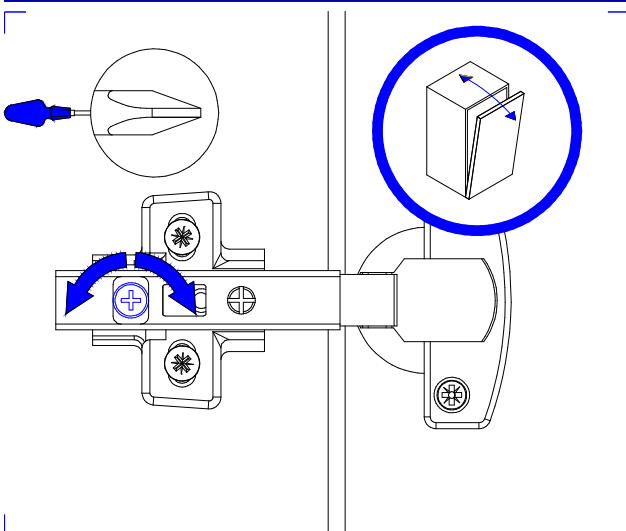
This exposes the screws used to adjust the door forwards and backwards, and horizontally.

02



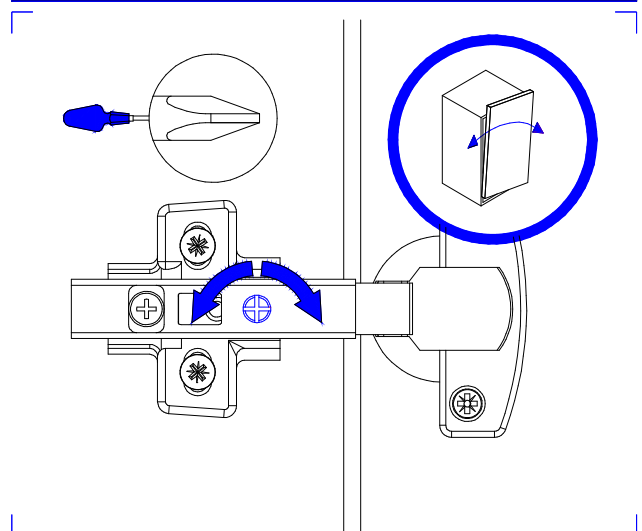
To adjust the door front vertically loosen both screws on both of the hinge mounting plates, re-position the door and re-tighten the screws.

03



To adjust the door front back and fourth, Turn the screw shown clockwise/anti-clockwise.

04

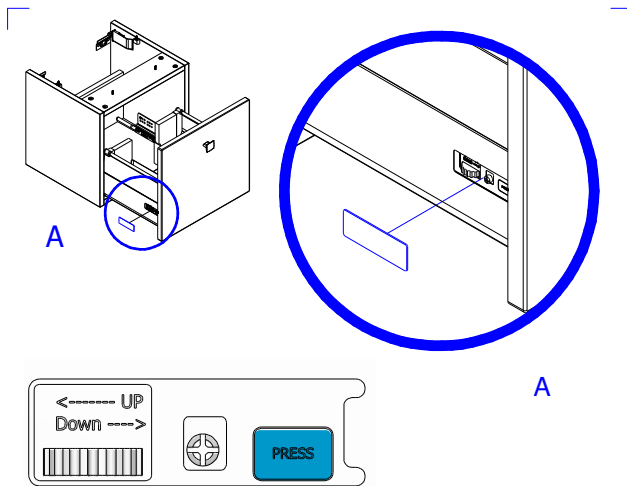


To adjust the door front horizontally, Turn the screw shown clockwise/anti-clockwise.

2.04 Drawer Front Fitting & Adjustment Fitting



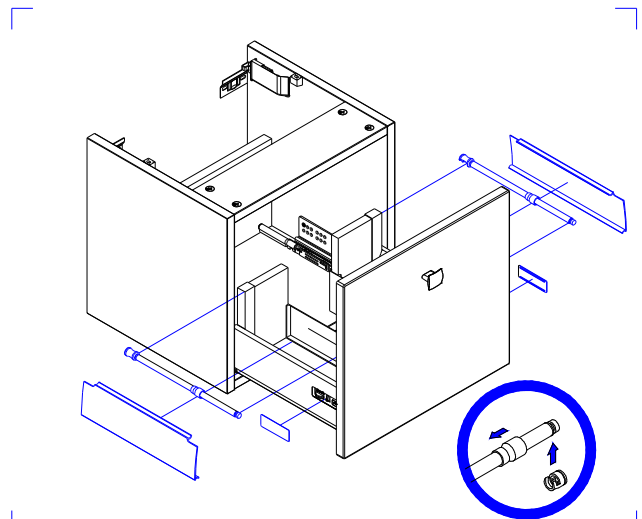
01



To remove or adjust the drawer fronts , first remove the Thirty6 cover caps from both sides of the drawer.

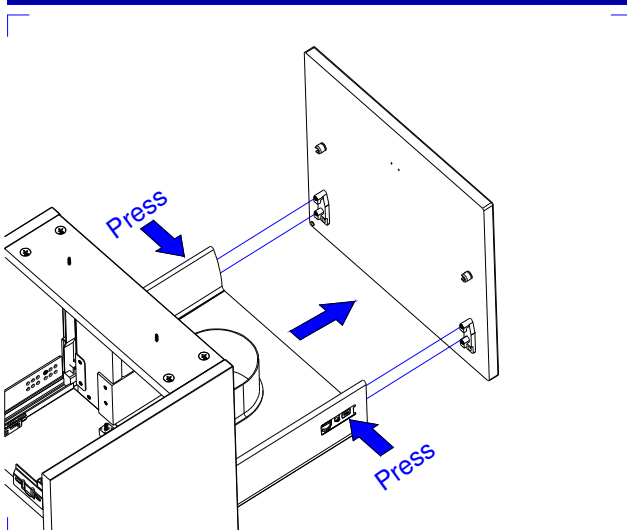
This will reveal the drawer front adjustment controls and the blue drawer front removal button.

02



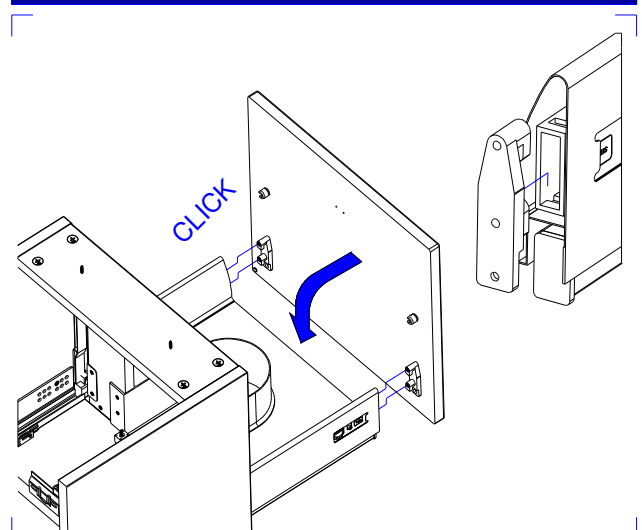
Remove Plastic sides and the gallery rail.
To release the gallery rail, slide back the rail covers, and unhook from the rail front fixing.
(as shown in the detail)

03



Press both blue buttons to release the drawer front.

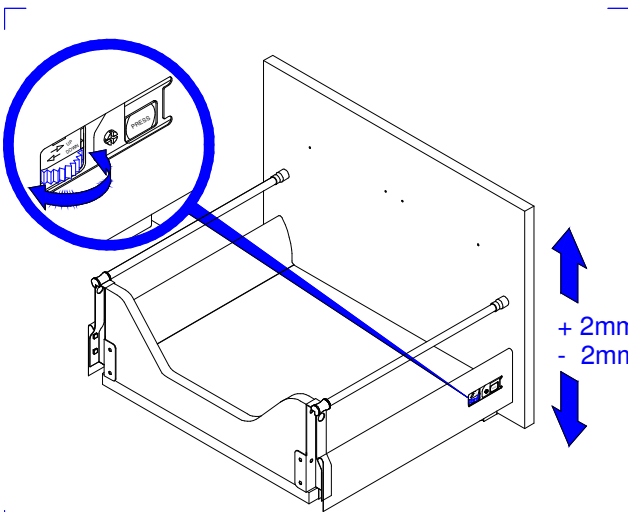
04



To re-fit the drawer front, position the drawer front hook bracket inside the curved drawer box side panel and press down on the drawer front.
The hooks should CLICK into place into the square holes in the runner.

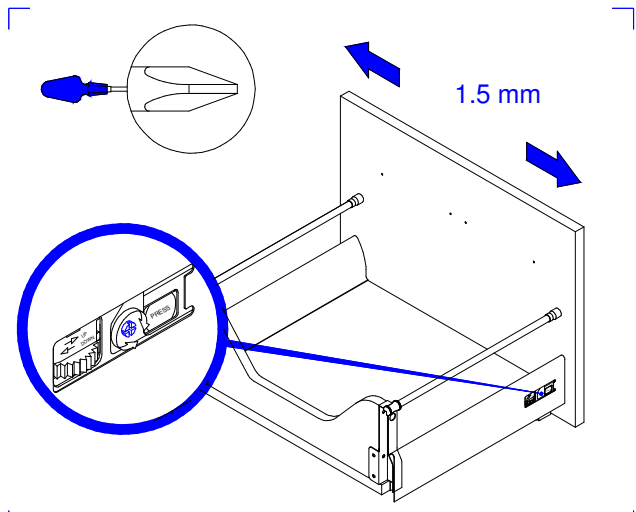
2.04 Drawer Front Fitting & Adjustment Fitting

01



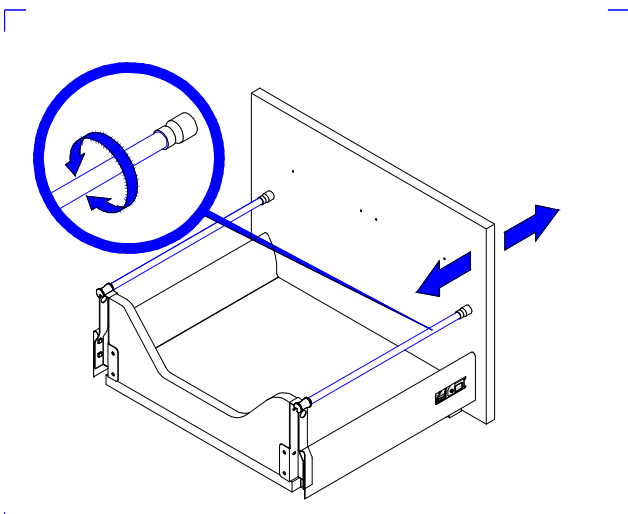
To adjust the drawer front vertically, rotate the grooved clockwise for down or anti-clockwise for up.

02

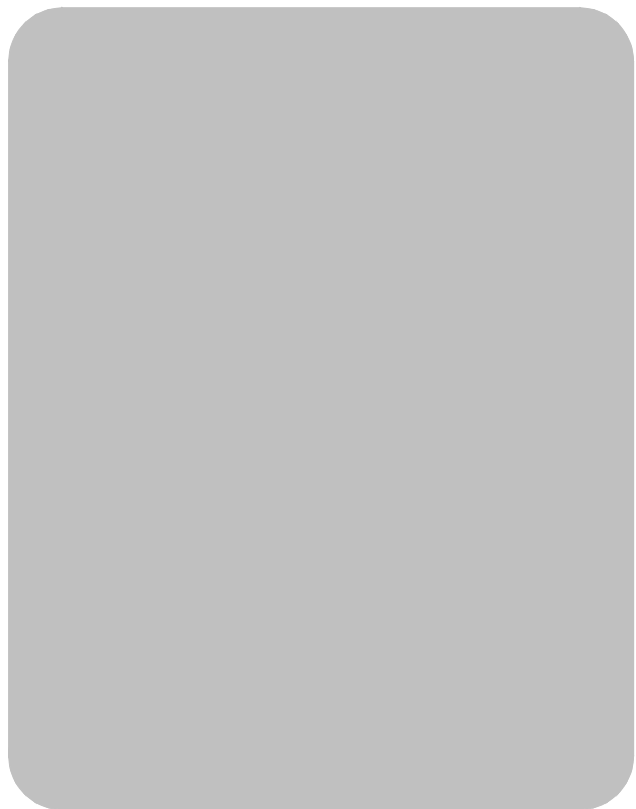


To adjust the drawer front horizontally, rotate the screw clockwise or anti-clockwise.

03



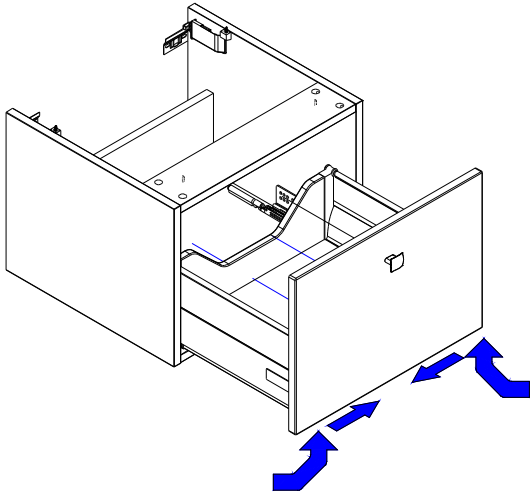
To adjust the drawer front back & forth, twist the rails clockwise or anti-clockwise.



2.05 Drawer Box Removal & Fitting

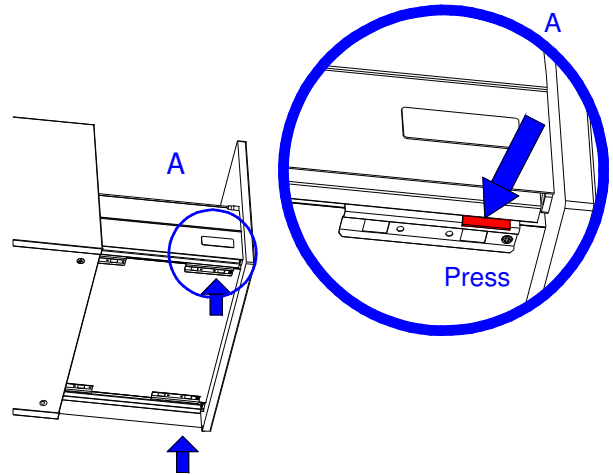
thirty6

01



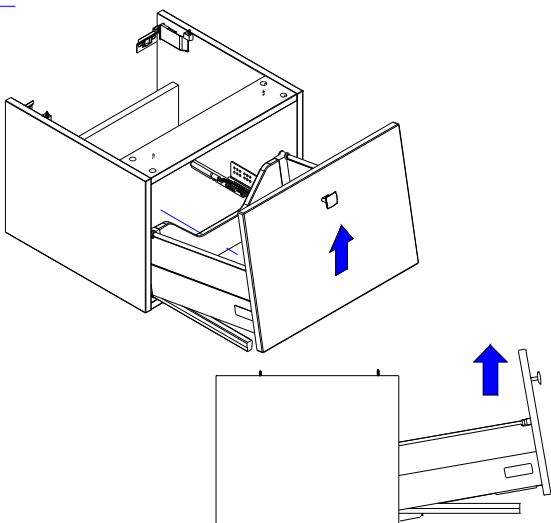
To remove the drawer box & front, pull the drawer open. Underneath the drawer box there are two grey plastic tabs when pressed inwards they release the drawer box from the runner.

02



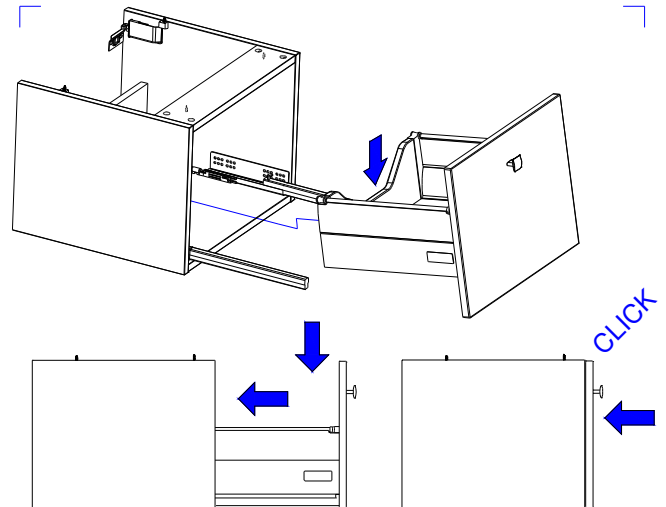
The two grey tabs are located in the positions shown here.

03



With both the two grey tabs pressed inwards the drawer box and front can be lifted away from the runners.

04



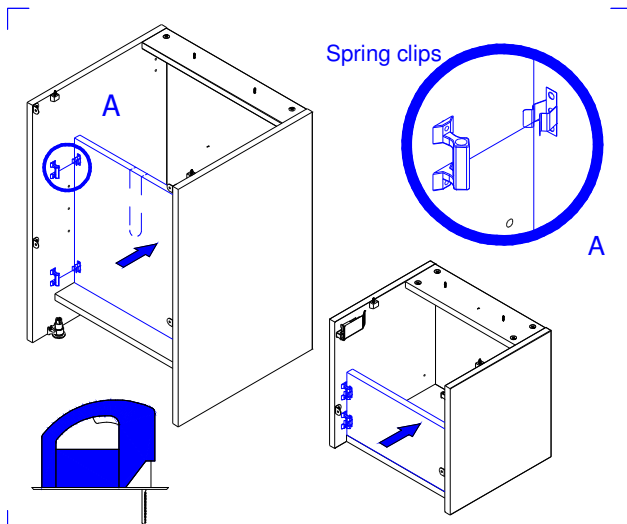
To re-fit the drawer, first slide the runners out of the unit. Place the drawer onto the runners, the runners sit in the grooves in the drawer box. Push the drawer fully into the unit. The drawer will CLICK into place.

2.06 Removable Panels Fitting

thirty6

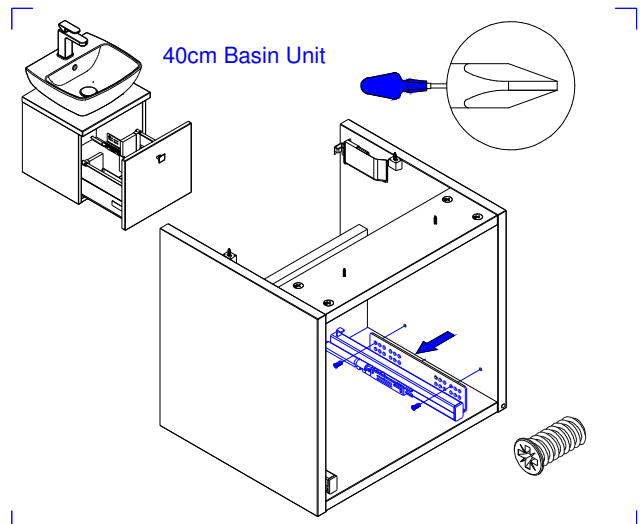
2.06

01



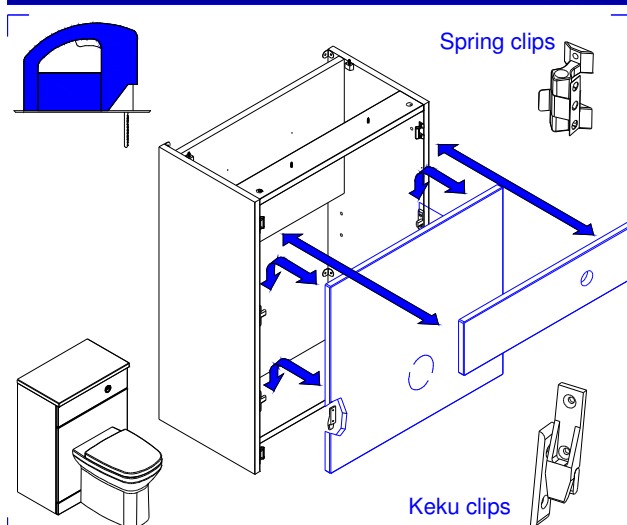
Door and drawer units have removable back panels to allow for the scribing and cutting of slots to accommodate pipe work.

02



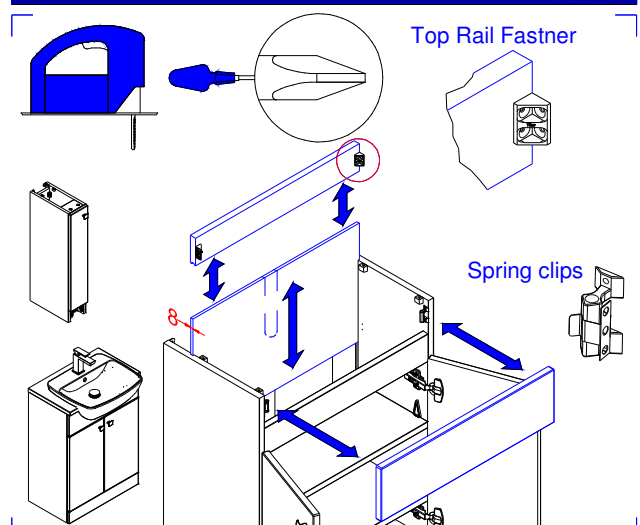
All drawer units have enough space to remove the back panel except for the 40cm basin unit. To remove this back panel, the runners need removing. Use a screwdriver to undo the two screws that attach each runner.

03



Closet units have two removable panels, the upper panel needs to be removed first to allow the bottom panel to be removed. The upper panel is on spring clips and can be pulled off. The bottom panel is on Keku clips and needs to be lifted off.

04

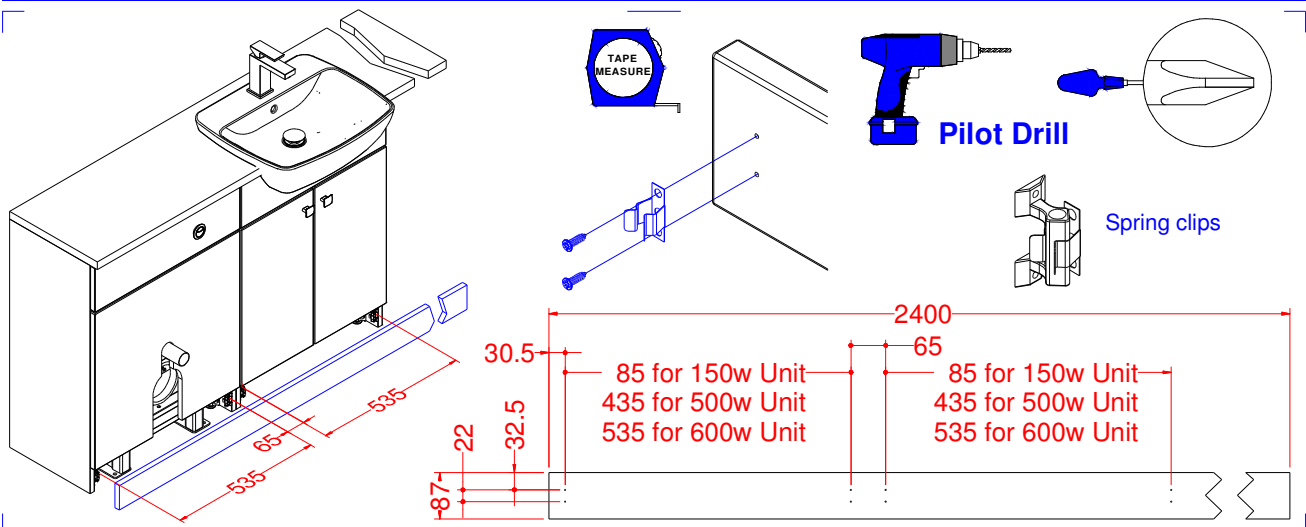


Semi-Countertop units have a removable top fascia on spring clips. This allows the fascia to be removed for cutting. Semi-Countertop & 150w units have a removable 8mm back panel to allow for scribing. The top rail must be removed to allow the back to slide out.

2.07 Fitting Plinths & Base Unit Feet Fitting

thirty6

01

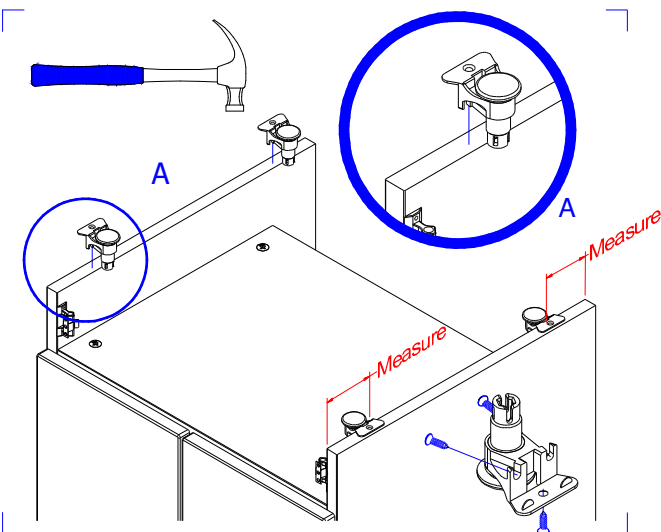


When fitted units are joined in a run the plinth will need to be fixed to the units using the spring clips provided.

Use the guide above to mark out the position of the metal spring clip brackets.

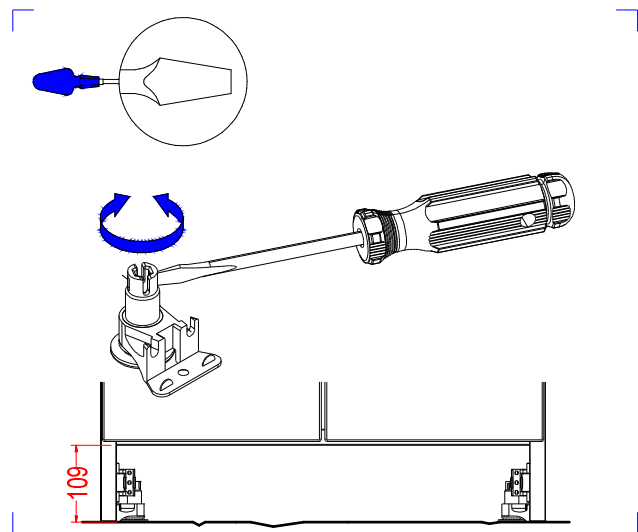
Pilot drill the plinths and screw the metal brackets to the plinth.
Screw the plastic part of the spring clip to the units.
Holes are predrilled in the sides to locate the brackets.
The plinth should clip in place.

02



Measure a suitable distance in from the edge of the unit. The distance will vary depending upon the units depth. Position the foot as shown and knock the plate with a hammer to secure the foot to the side panel. Three additional screws can be used to secure in place.

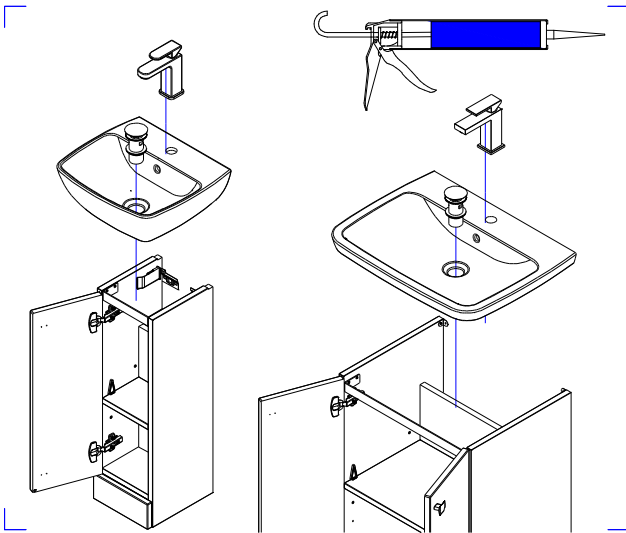
03



If the plinth is removed, the unit can be height adjusted by hand or flat headed screwdriver.

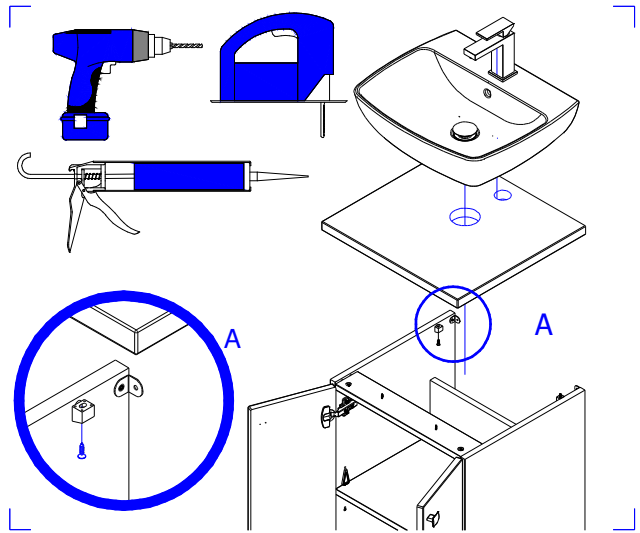
2.08 Counterops and Basins Fitting

01



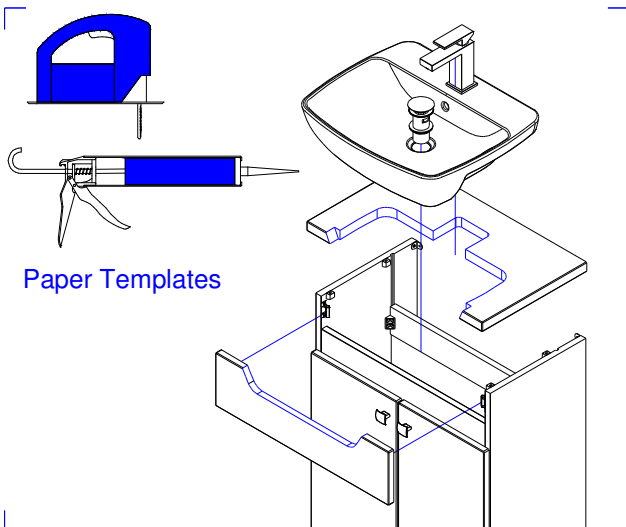
For Countertop, Cloakroom & Pedestal basins bed the basin on a bead of silicone along the top edges of the two side panels. Level the basin. Ensure the edges are smoothed clean and there are no gaps where water can sit against the edges of the panels.

02



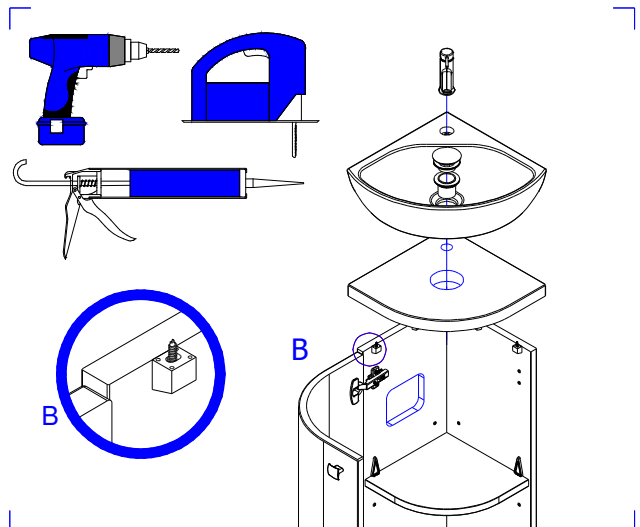
Check and mark the position of the basin on the top. Double check before drilling and cutting. Cut the Panels and then seal any cut edges to stop water getting into the chipboard. Fit the top and basin. Seal around the basin with silicone sealant and smooth.

03



For Semi-Countertop units., use the templates supplied to mark out the top and fascia. Double check before cutting. Cut the panels and then seal any cut edges to stop water getting into the chipboard. Fit the top and basin. Seal around the basin with silicone sealant and smooth.

04



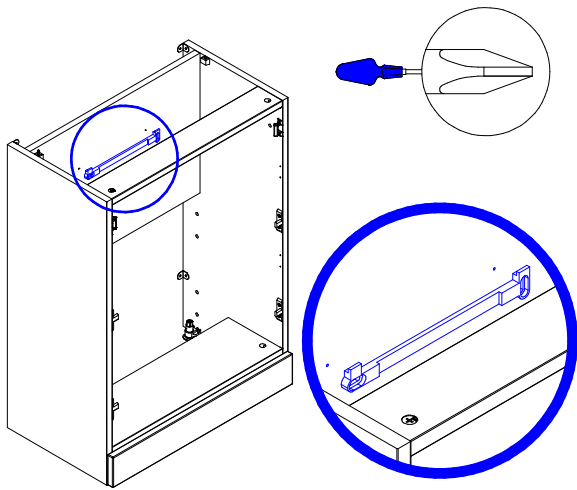
Check and mark the position of the basin on the top. Double check before drilling and cutting. Cut the panels and then seal any cut edges to stop water getting into the chipboard. Fit the top and basin. Seal around the basin with silicone sealant and smooth.

2.09 Closet Unit Fitting



2.09

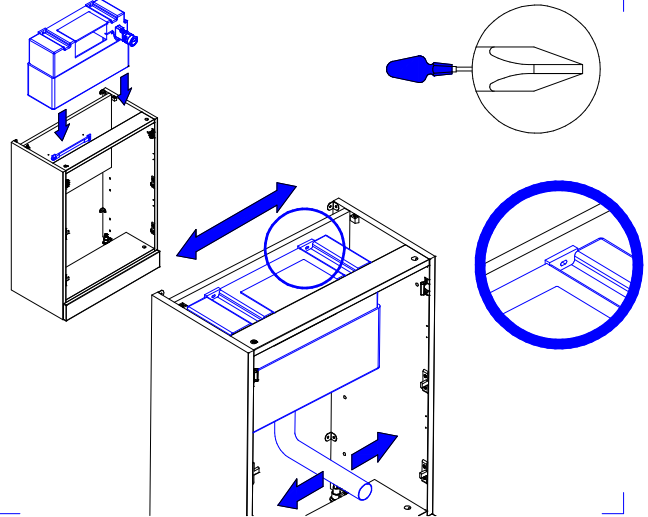
01



To fit the cistern supplied, follow the instructions inside the box.

To aid fitting, the back panel of the WC unit has been pilot drilled to help fit the fixing bracket.

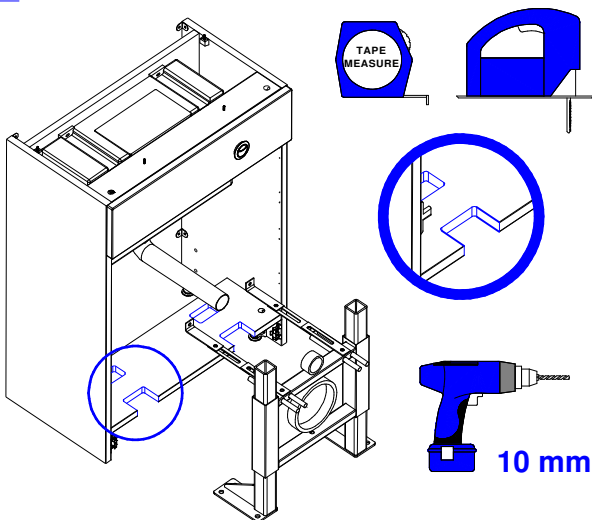
02



Once the cistern is slotted onto the bracket, it can be moved sideways to position the down pipe into the desired position.

Once in place, the unit can be secured using screws in the slots in the top of the cistern.

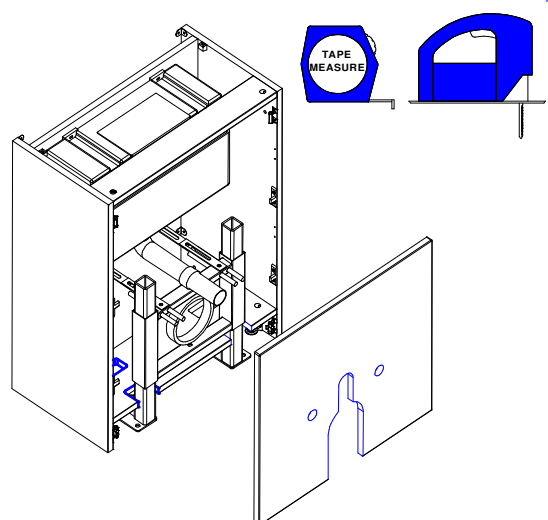
03



To get access to the bolts needed to fix the wall hung WC frame to the floor, the bottom panel will need to be cut.

Follow the WC frames fitting instructions.

04



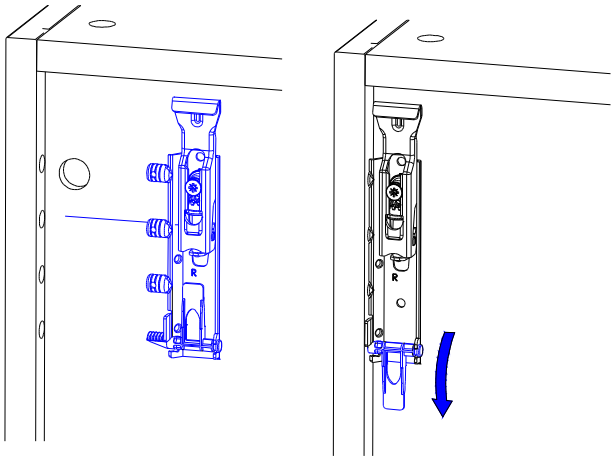
Remove the front panel and use any templates supplied with the WC pan to cut or drill the front panel.

2.10

Mirrored Wall Unit - Mounting Brackets

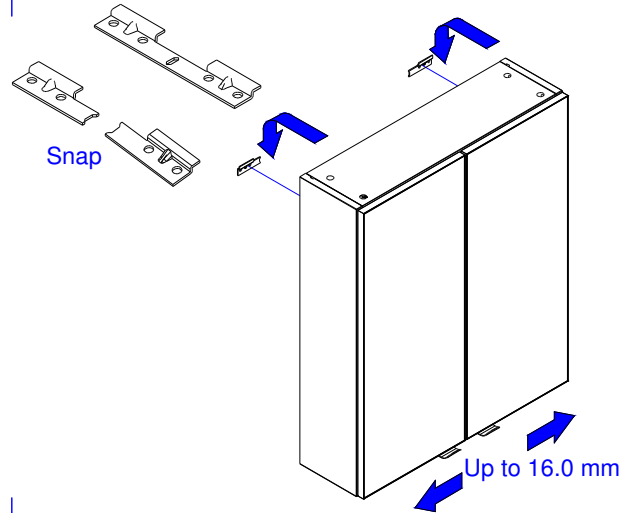
Fitting

01



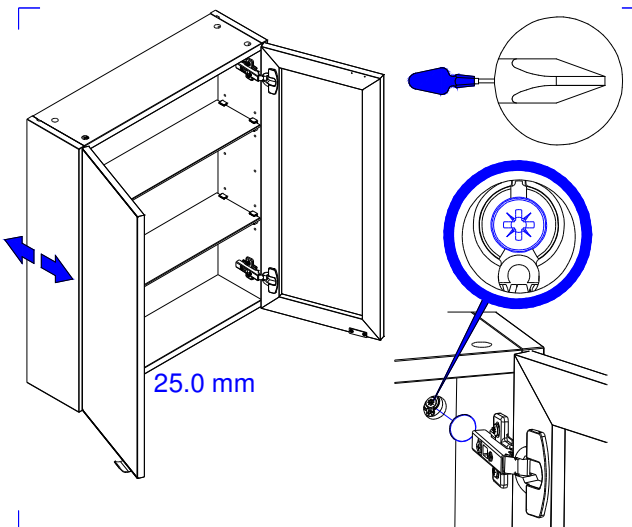
The hanging brackets need to be pushed into the four pre-drilled holes. Turn the bottom leaver 180° to help lock the bracket.
The load capacity is 65kg per bracket.
Equivalent to 260kg of final load per set.

02



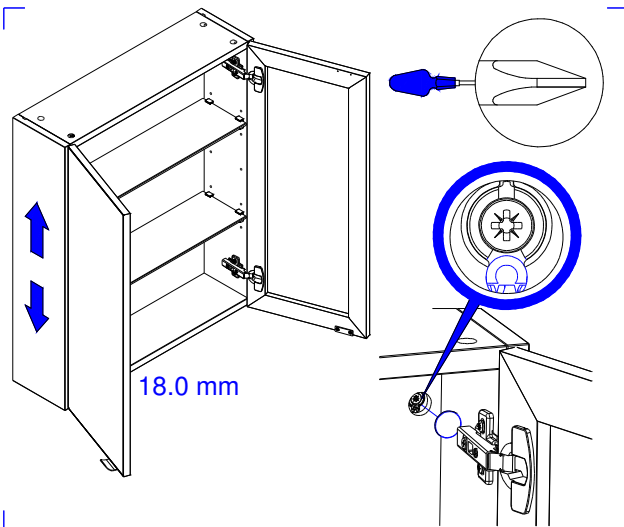
Snap the double mounting plate. It is designed to split at the centre when flexed.
Measure and fit the brackets to the wall.
IMPORTANT - The wall fixings are not supplied.
Use the correct fixings to suit the wall construction.

03



Remove the round cover cap from both holes.
Turn the screw highlighted using a Philips No 2 Ø 6.0 or a Pozidrive No 2 Ø 6.0 screwdriver.
Anti-clockwise - Loosen from the wall
Clockwise - Tighten to wall

04



Remove the round cover cap from both holes.
Turn the screw highlighted using a Philips No 2 Ø 6.0 or a Pozidrive No 2 Ø 6.0 screw driver.
Anti-clockwise - Lower the cabinet
Clockwise - Higher the cabinet

Thirty6 Bathrooms
Lake View House
Rennie Drive
Dartford
Kent
DA1 5FU

Telephone: 01322 475660
Email: sales@thirty6bathrooms.co.uk
www.thirty6bathrooms.co.uk