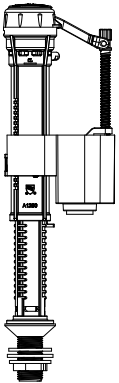
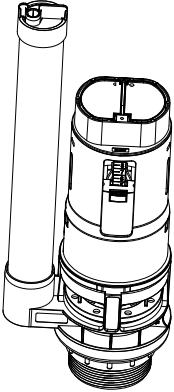
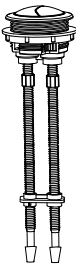




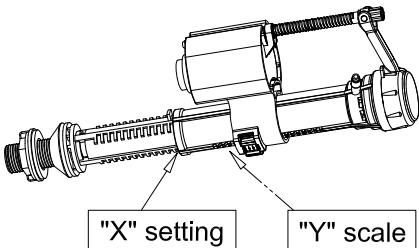
Installation Instruction for Dual Flush Cistern Fittings

Parts Supplied:

Inlet Valve	Flush Valve	Button	Bolt	Flush Cone
				
1x	1x	1x	2x	1x

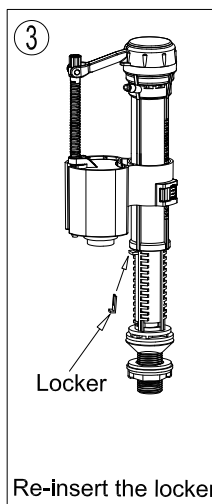
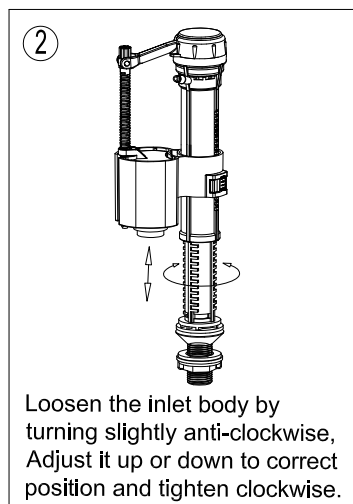
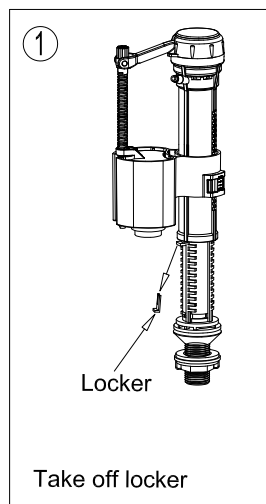
- Please read these instructions carefully to avoid damage to the valves, and to ensure correct installation.
- Do not use bleach or bleach based cleaning products in the cistern, as these will cause damage to the seals. We cannot be held responsible or liable for any failure which results from the use of bleach based products.
- Water temperature range +2C to +45C.
- Water pressure 0.2 to 8 bar.

1: Inlet Valve scale and adjustment settings

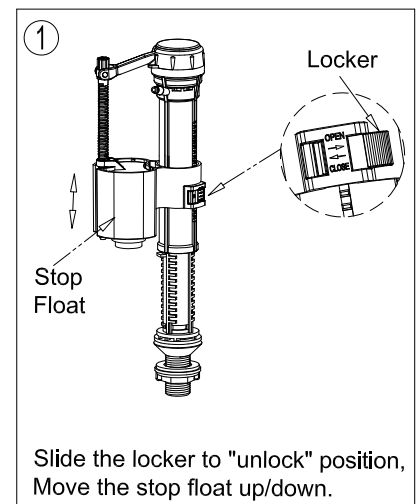


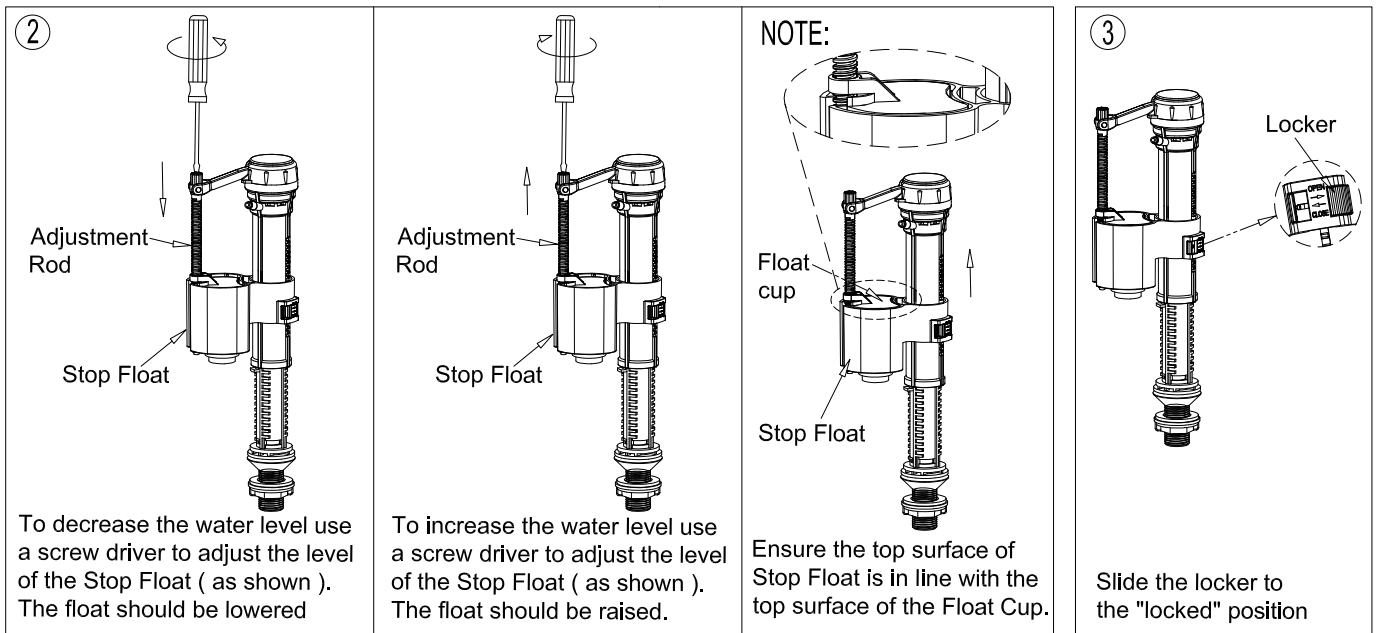
Note:
The Inlet Valve should be adjusted for the particular cistern into which it is being installed. Please refer to the **Adjustment Instruction** that are included within the ceramic cistern tank for the X, Y setting values. The diagrams below show the detailed adjustment method.

A: Major water level adjustment

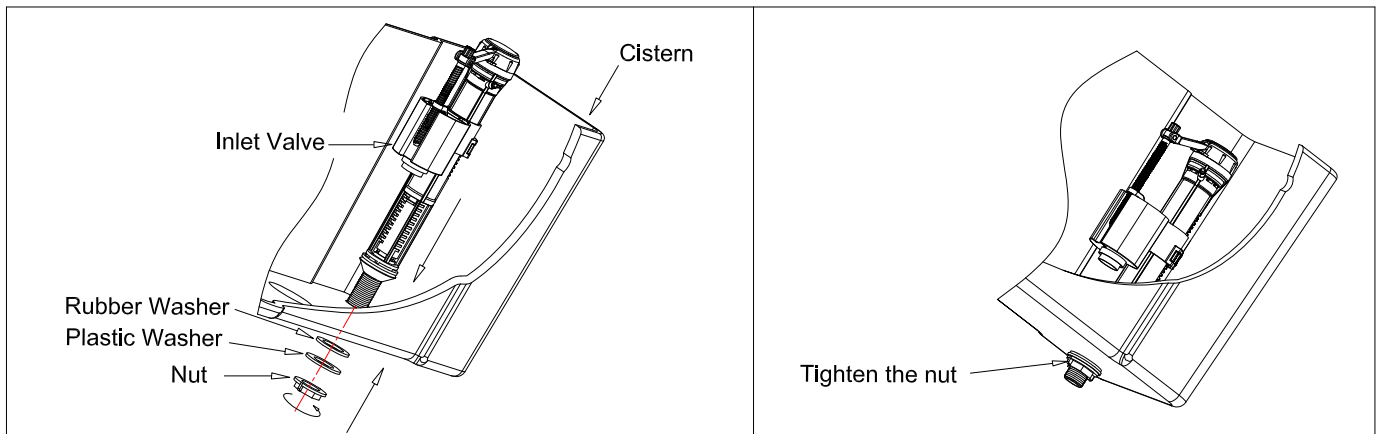


B: Minor water level adjustment

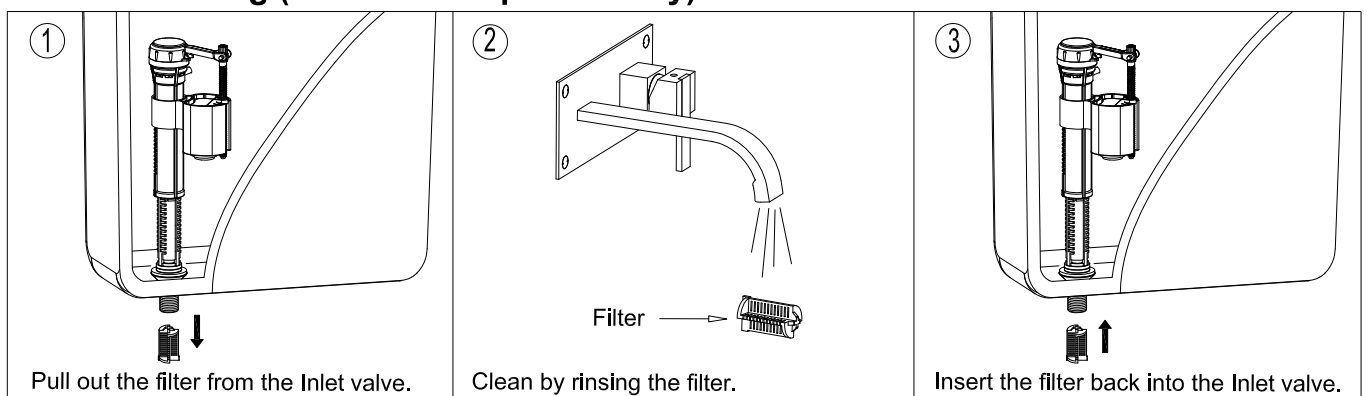




2: Inlet Valve installation



3: Filter cleaning (Please clean periodically)



4: Inlet Valve trouble shooting

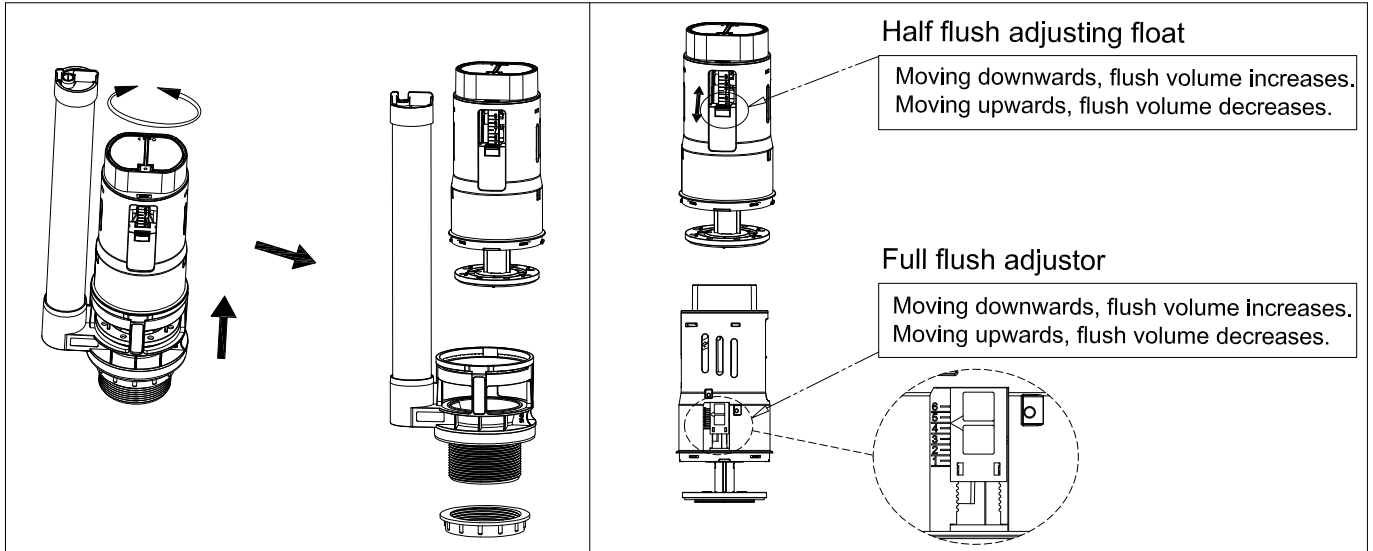
Problem	Reason	Solution
Incorrect water level	Incorrect adjustment.	Adjust the Water level correctly as per page 1 & 2.
Inlet Valve does not work	Water supply is closed.	Open the water supply.
	The filter is blocked.	Clean the filter.
Leakage	The Stop Float has been over adjusted beyond its operational range.	Reconnect the Adjustment Rod, and adjust the water level as per B on page 1 & 2.
	The Inlet Valve fixing nut has not been tightened.	Tighten the nut.

Flush Valve Installation And Problem Solving

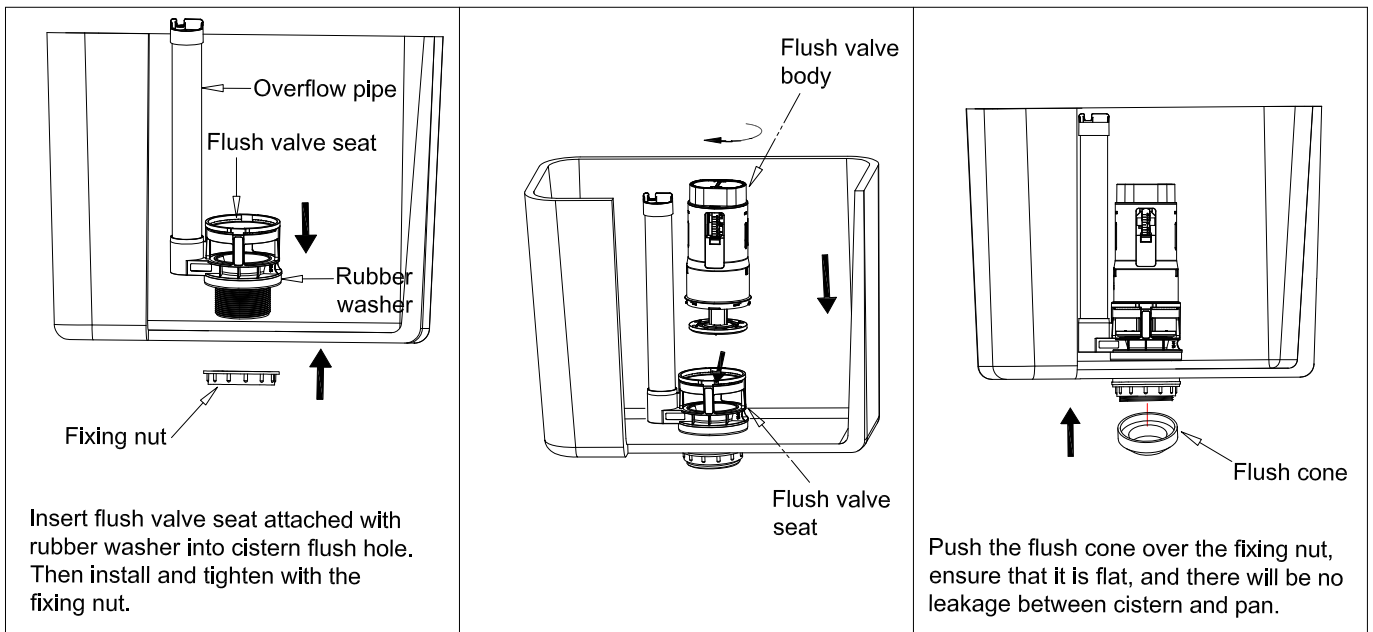
1: Flush Valve scale and adjustment setting

Note: The Flush Valve should be adjusted for the particular cistern into which it is being installed.

Please refer to the **Adjustment Instruction** that are included within the ceramic cistern tank for the full flush and half flush setting values. The diagrams below show the detailed adjustment method.



2: Flush Valve installation



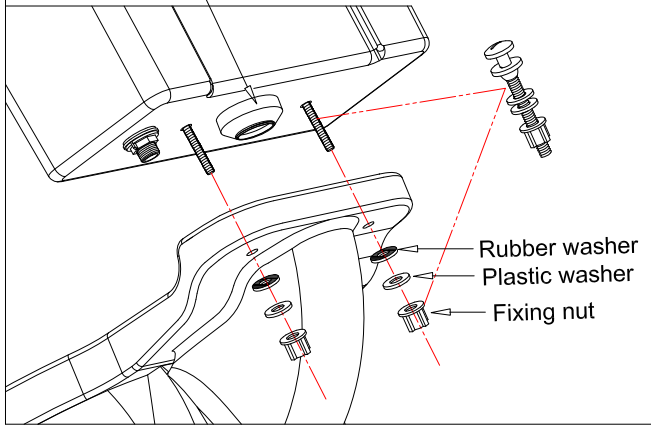
3: Flush Valve trouble shooting

Problem	Reason	Solution
Leakage	<ol style="list-style-type: none"> 1. Incorrect installation. 2. The push rod is too long causing a gap between the washer and the seat. 3. Flush valve seat does not fit on the flush valve body. 4. Flush valve body is stuck. 	<ol style="list-style-type: none"> 1. Install again according to the correct installation procedure. 2. Adjust the push rod length. (see page 4) 3. Install again, ensuring both surfaces are clean for a water tight seal. 4. Take off and wash flush valve body.
No flush, low flush or half flush volume	Push rod is too short.	Adjust the push rod length. (see page 4)
full flush or half flush water level is too high or too low.	Water level is adjusted incorrectly.	Adjust the full flush adjustor or the half flush float cup.

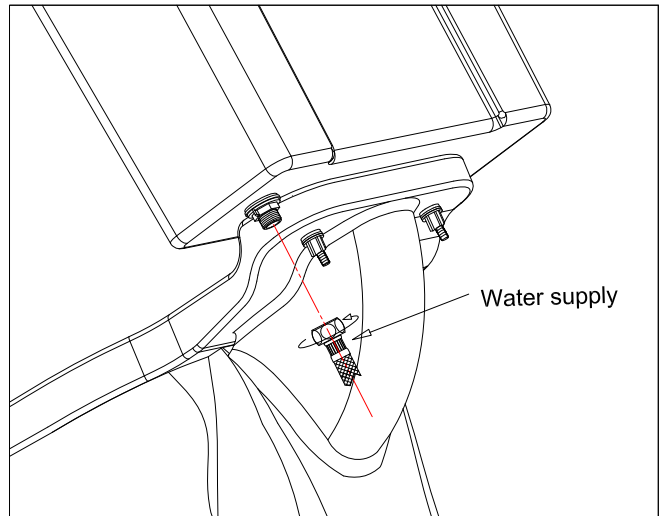
Cistern and Flush Button Installation

1: Install Close Coupled Cistern To Pan

* Please ensure the flush cone is in position before installation. A thin bead of silicone should be applied to the flush cone and the inlet hole of pan if necessary.



2: Connect the water supply to the cistern



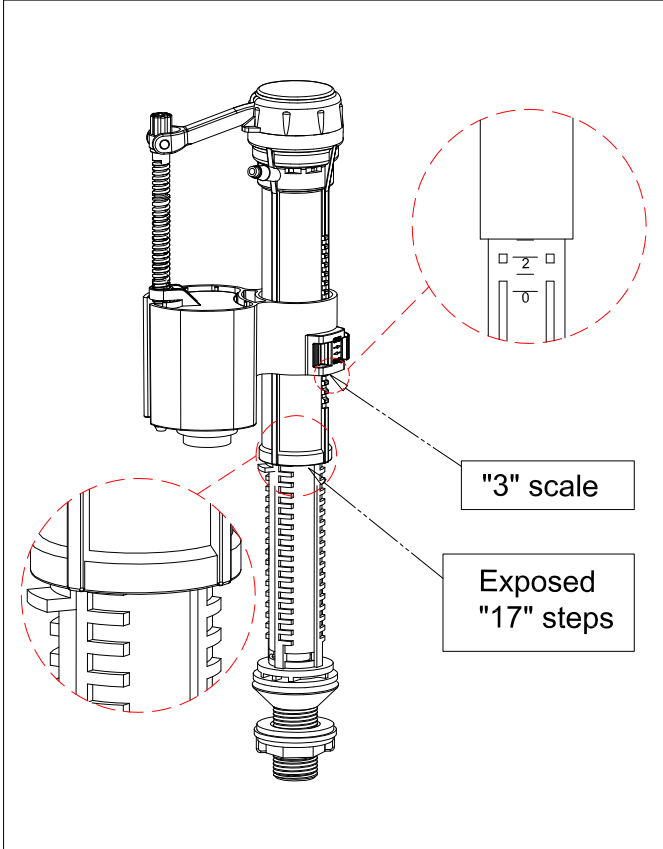
3: Install The Flush Button

<p>①</p> <p>Take off the fixing nut. Screw the lock nut to position.</p>	<p>②</p> <p>Install the dual flush button onto the cistern lid, and tighten the fixing nut.</p>	<p>③a</p>
<p>③b</p> <p>Loosen the lock nuts, and unscrew the push rods to cut off the redundant section. Please refer to the Adjustment Instruction that are included in the ceramic cistern tank for the recommended Z value.</p>	<p>④a</p>	<p>④b</p> <p>Half Flush Button - Blue Full Flush Button - White</p> <p>Adjust the length of A by turning the push rod, and remember to tighten the lock nut after finishing the adjustment of the push rod (A). The final position should be that push rods just come into contact with the flush valve, but should not push down onto it unless the button is activated.</p>

4: After installation check that the full flush and half flush are working correctly. Please consult the trouble shooting pages if there are any problems.

Adjustment Instructions for 6L full flush and 3L half flush

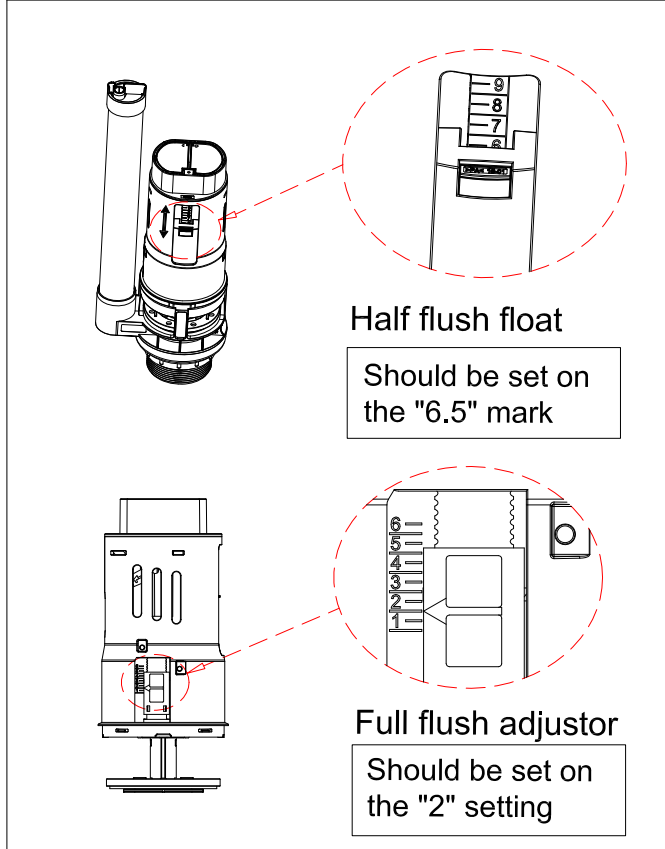
1: Inlet Valve



Note:
 The Inlet Valve can be adjusted to suit the Cistern With Lid - CC.1036 / CC.1980. The above diagram indicates the correct setting for 6L full flush and 3L half flush.

For adjustment method, please refer to the installation instruction supplied with the cistern fittings.

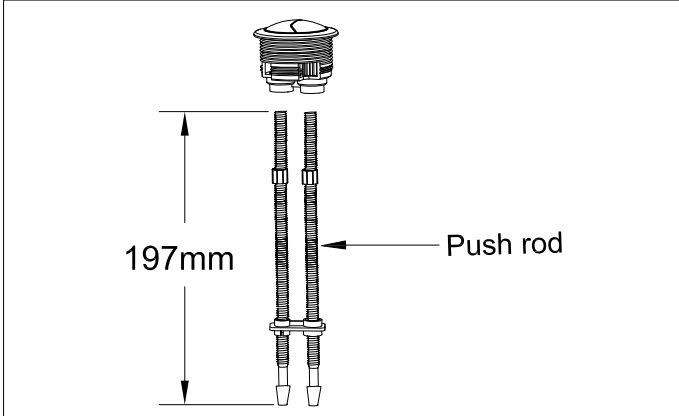
2: Flush Valve



Note:
 The Flush Valve can be adjusted to suit the Cistern With Lid - CC.1036 / CC.1980. The above diagram indicates the correct setting for 6L full flush and 3L half flush.

For adjustment method, please refer to the installation instruction supplied with the cistern fittings.

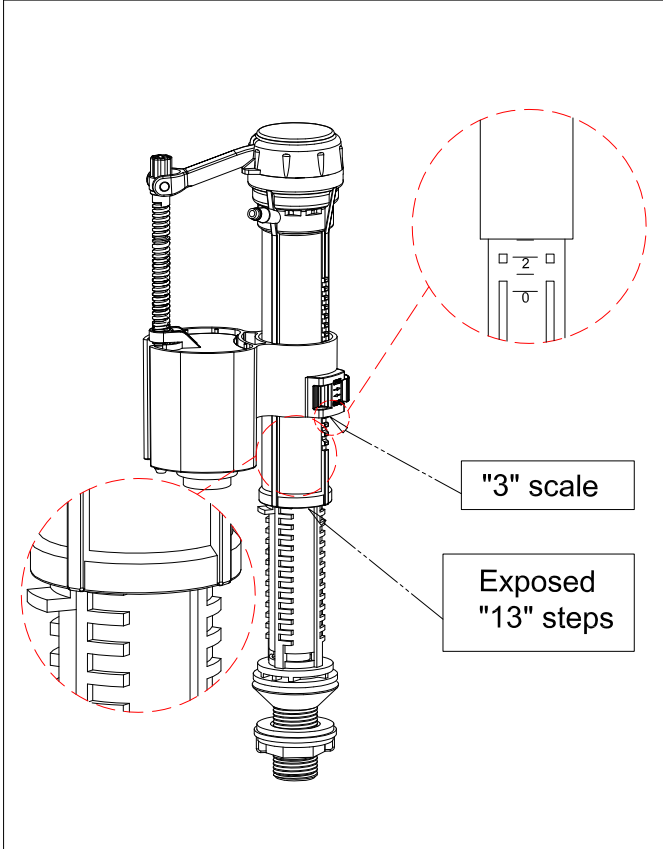
3: Dual Flush Button



Screw the push rods out of the button, and cut the push rods to a length of 197mm as shown in the diagram on the left hand side.

Adjustment Instructions for 4.5L full flush and 2.6L half flush

1: Inlet Valve

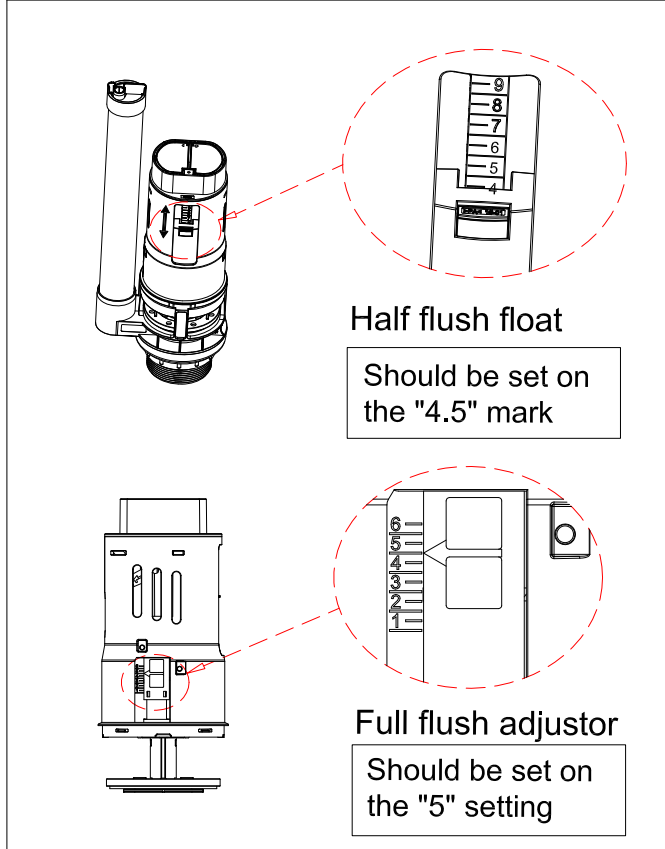


Note:

The Inlet Valve can be adjusted to suit the Cistern With Lid - CC.1036 / CC.1980

The above diagram indicates the correct setting for 4.5L full flush and 2.6L half flush. For adjustment method, please refer to the installation instruction supplied with the cistern fittings.

2: Flush Valve

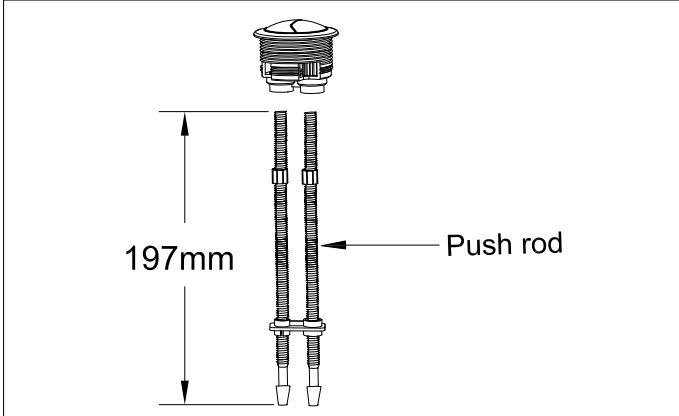


Note:

The Flush Valve can be adjusted to suit the Cistern With Lid - CC.1036 / CC.1980

The above diagram indicates the correct setting for 4.5L full flush and 2.6L half flush. For adjustment method, please refer to the installation instruction supplied with the cistern fittings.

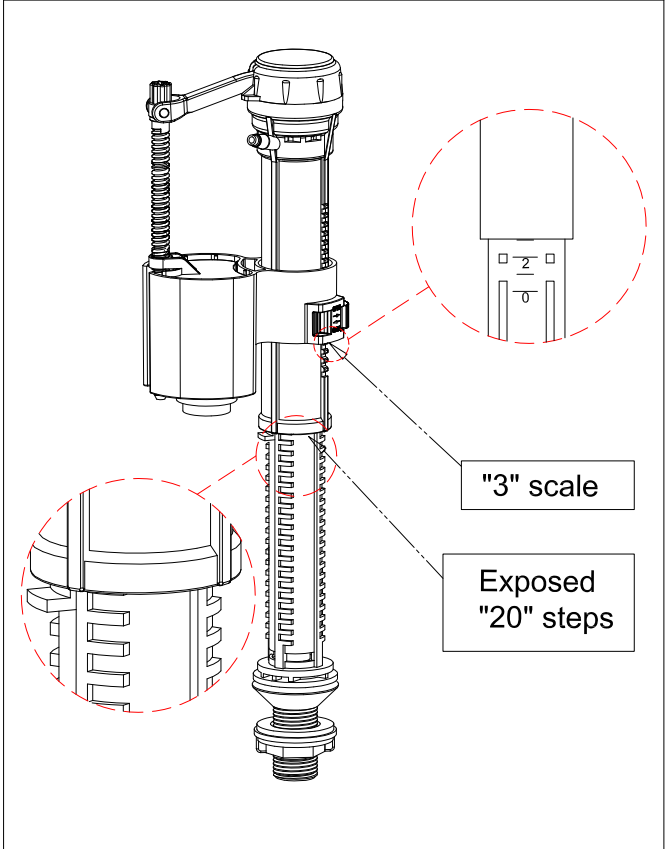
3: Dual Flush Button



Screw the push rods out of the button, and cut the push rods to a length of 197mm as shown in the diagram on the left hand side.

Adjustment Instructions for 6L full flush and 3L half flush

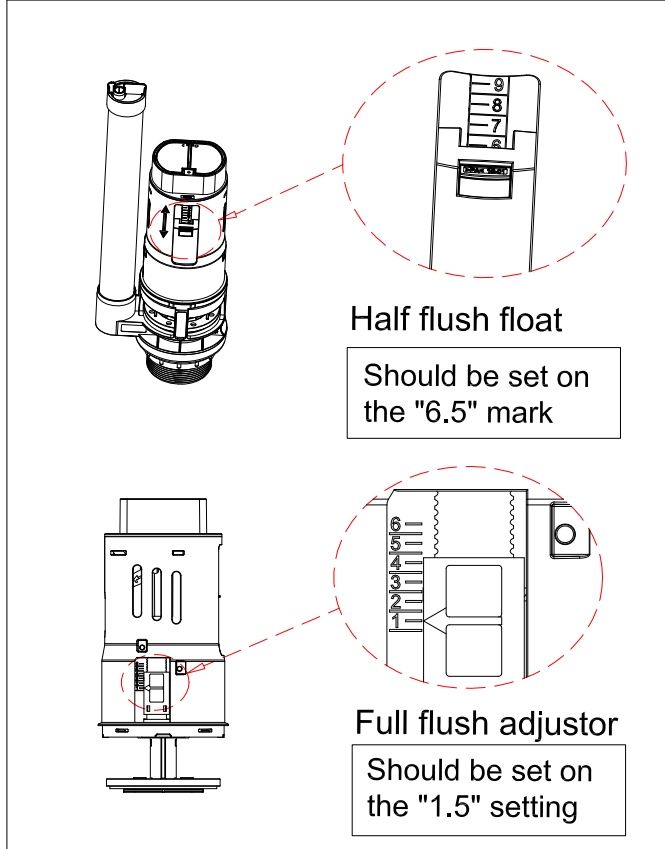
1: Inlet Valve



Note:
The Inlet Valve can be adjusted to suit the Cistern With Lid - CM.0007.
The above diagram indicates the correct setting for 6L full flush and 3L half flush.

For adjustment method, please refer to the installation instruction supplied with the cistern fittings.

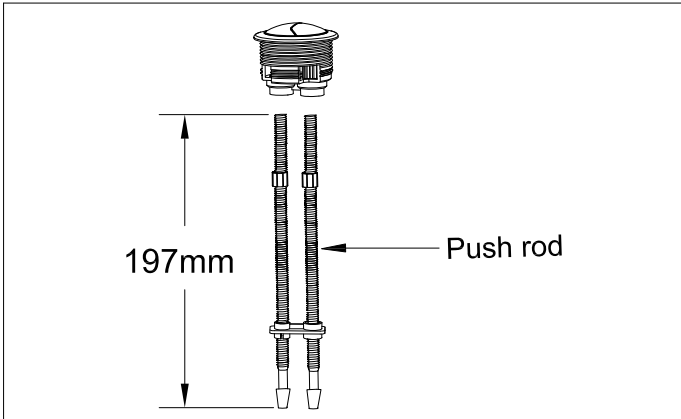
2: Flush Valve



Note:
The Flush Valve can be adjusted to suit the Cistern With Lid - CM.0007.
The above diagram indicates the correct setting for 6L full flush and 3L half flush.

For adjustment method, please refer to the installation instruction supplied with the cistern fittings.

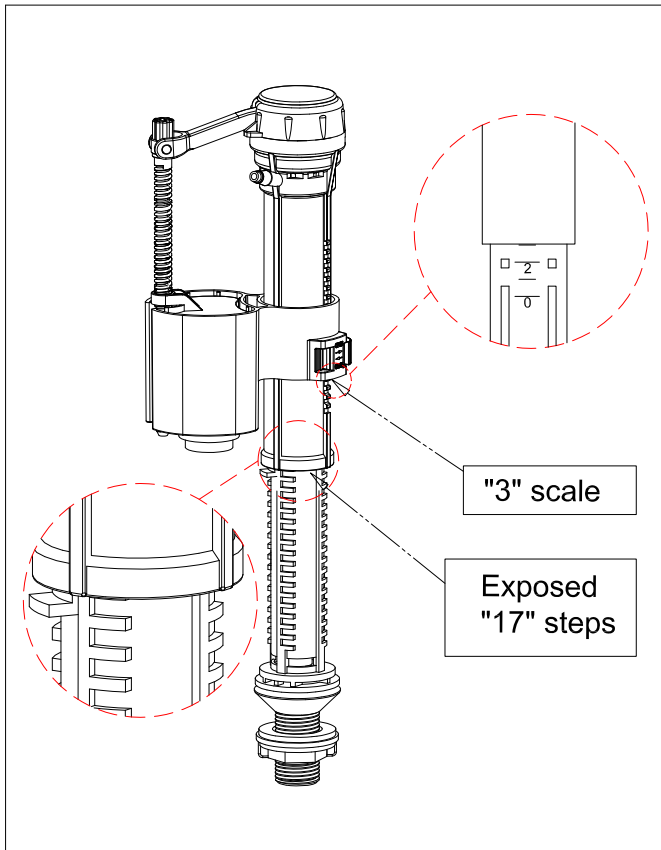
3: Dual Flush Button



Screw the push rods out of the button, and cut the push rods to a length of 197mm as shown in the diagram on the left hand side.

Adjustment Instructions for 4.5L full flush and 2.6L half flush

1: Inlet Valve

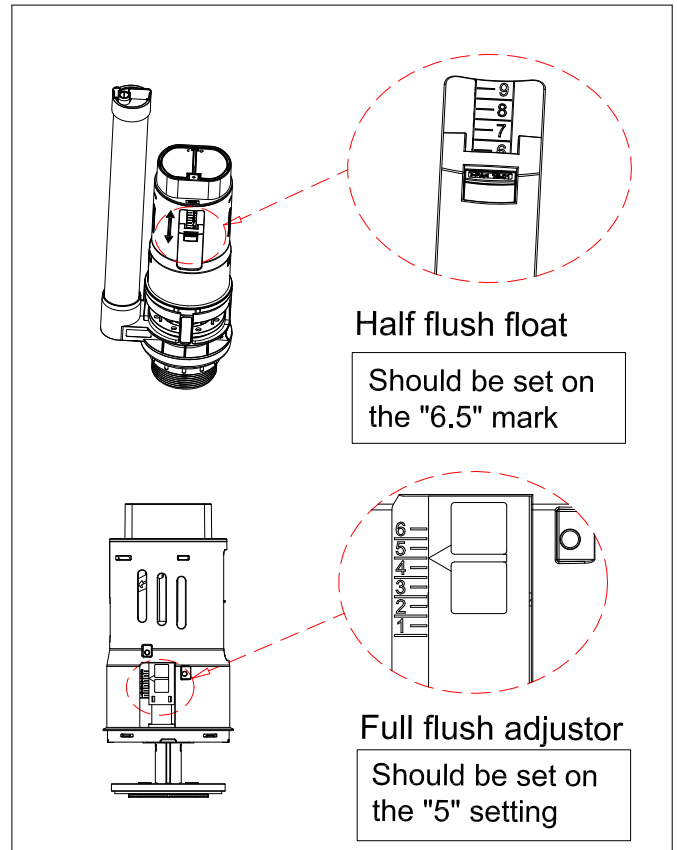


Note:

The Inlet Valve can be adjusted to suit the Cistern With Lid - CM.0007

The above diagram indicates the correct setting for 4.5L full flush and 2.6L half flush. For adjustment method, please refer to the installation instruction supplied with the cistern fittings.

2: Flush Valve

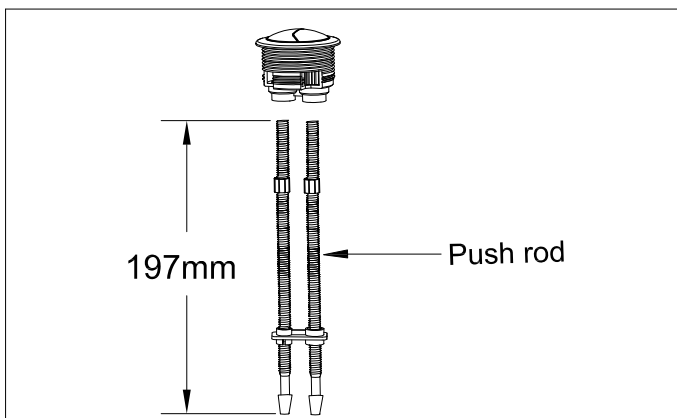


Note:

The Flush Valve can be adjusted to suit the Cistern With Lid - CM.0007

The above diagram indicates the correct setting for 4.5L full flush and 2.6L half flush. For adjustment method, please refer to the installation instruction supplied with the cistern fittings.

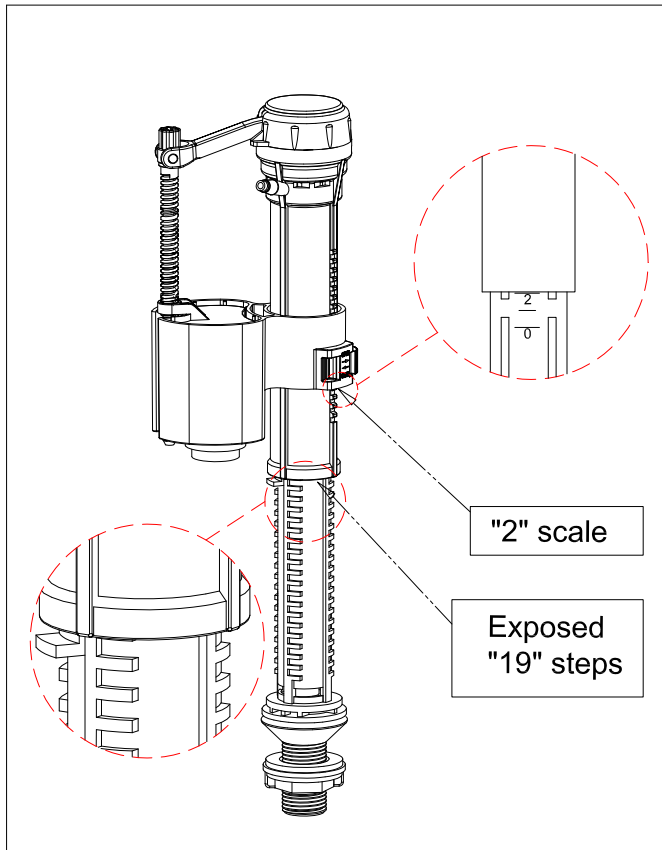
3: Dual Flush Button



Screw the push rods out of the button, and cut the push rods to a length of 197mm as shown in the diagram on the left hand side.

Adjustment Instructions for 6L full flush and 3L half flush

1: Inlet Valve

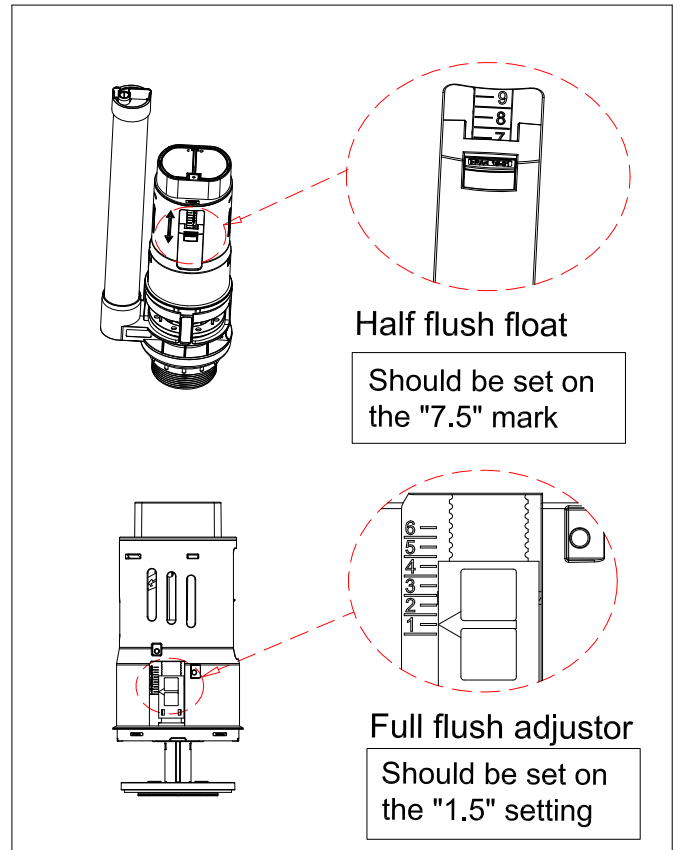


Note:

The Inlet Valve can be adjusted to suit the Cistern With Lid - 15.B.27353

The above diagram indicates the correct setting for 6L full flush and 3L half flush. For adjustment method, please refer to the installation instruction supplied with the cistern fittings.

2: Flush Valve

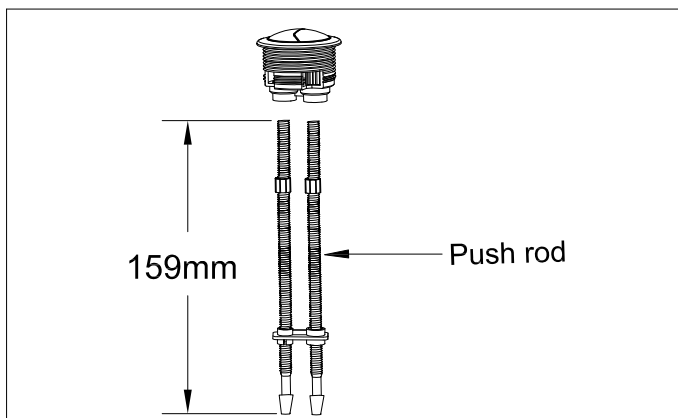


Note:

The Flush Valve can be adjusted to suit the Cistern With Lid - 15.B.27353

The above diagram indicates the correct setting for 6L full flush and 3L half flush. For adjustment method, please refer to the installation instruction supplied with the cistern fittings.

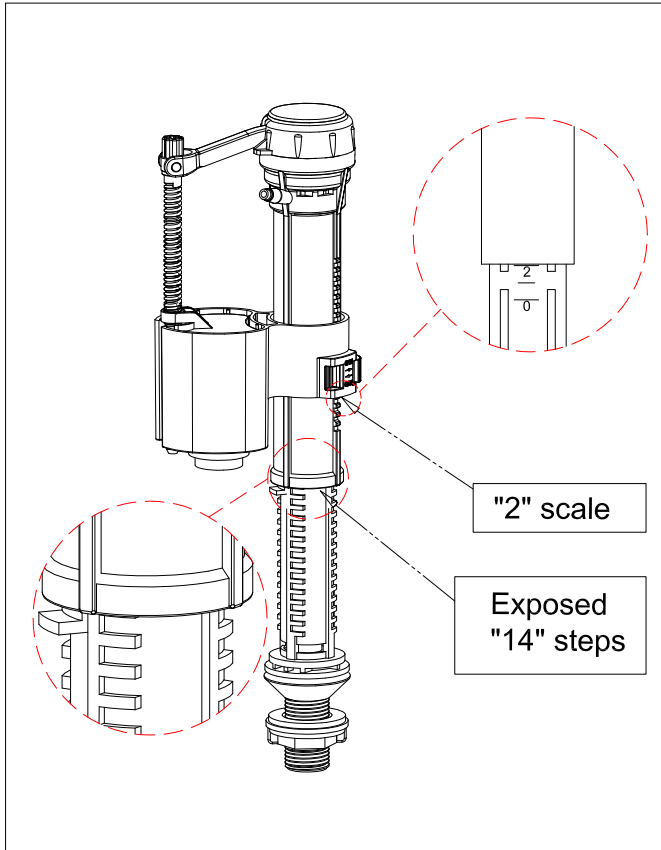
3: Dual Flush Button



Screw the push rods out of the button, and cut the push rods to a length of 159mm as shown in the diagram on the left hand side.

Adjustment Instructions for 4.5L full flush and 3L half flush

1: Inlet Valve

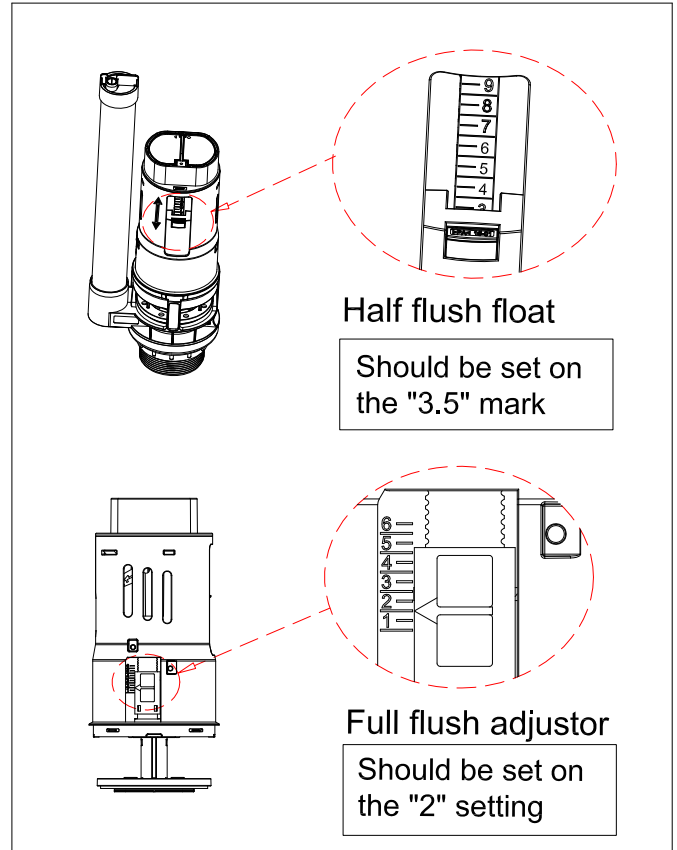


Note:

The Inlet Valve can be adjusted to suit the Cistern With Lid - 15.B.27353

The above diagram indicates the correct setting for 4.5L full flush and 3L half flush. For adjustment method, please refer to the installation instruction supplied with the cistern fittings.

2: Flush Valve

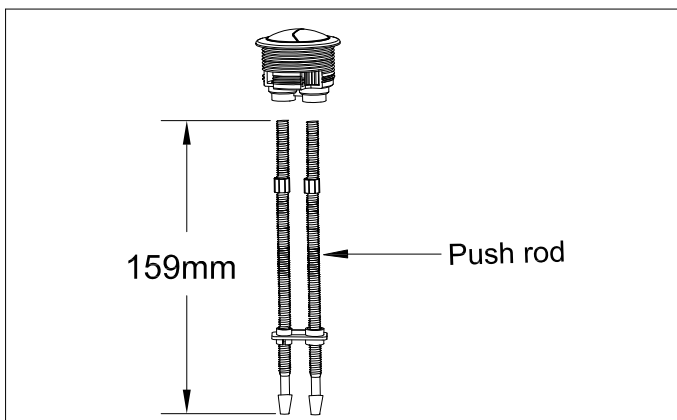


Note:

The Flush Valve can be adjusted to suit the Cistern With Lid - 15.B.27353

The above diagram indicates the correct setting for 4.5L full flush and 3L half flush. For adjustment method, please refer to the installation instruction supplied with the cistern fittings.

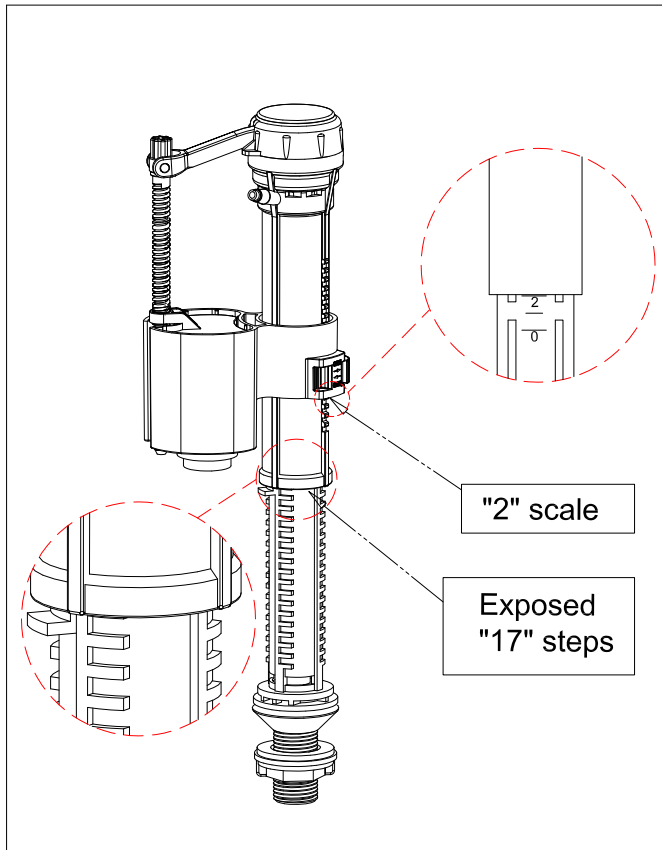
3: Dual Flush Button



Screw the push rods out of the button, and cut the push rods to a length of 159mm as shown in the diagram on the left hand side.

Adjustment Instructions for 6L full flush and 3L half flush

1: Inlet Valve

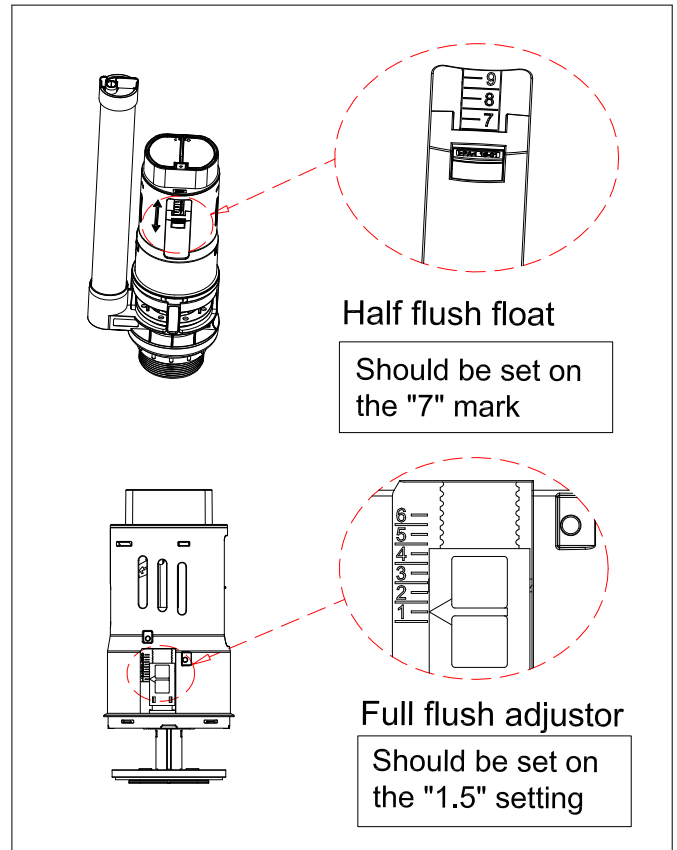


Note:

The Inlet Valve can be adjusted to suit the Cistern With Lid - 15.B.27349

The above diagram indicates the correct setting for 6L full flush and 3L half flush. For adjustment method, please refer to the installation instruction supplied with the cistern fittings.

2: Flush Valve

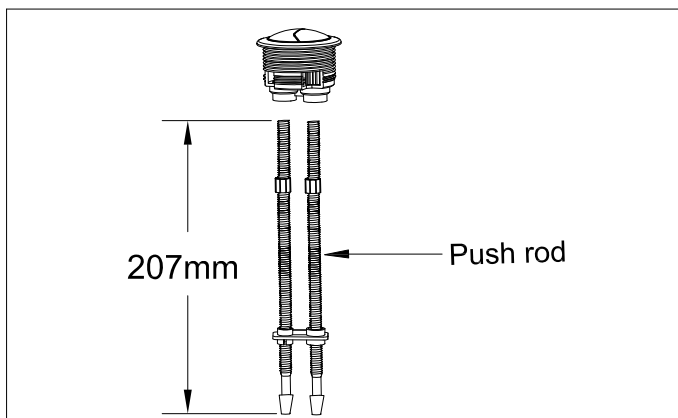


Note:

The Flush Valve can be adjusted to suit the Cistern With Lid - 15.B.27349

The above diagram indicates the correct setting for 6L full flush and 3L half flush. For adjustment method, please refer to the installation instruction supplied with the cistern fittings.

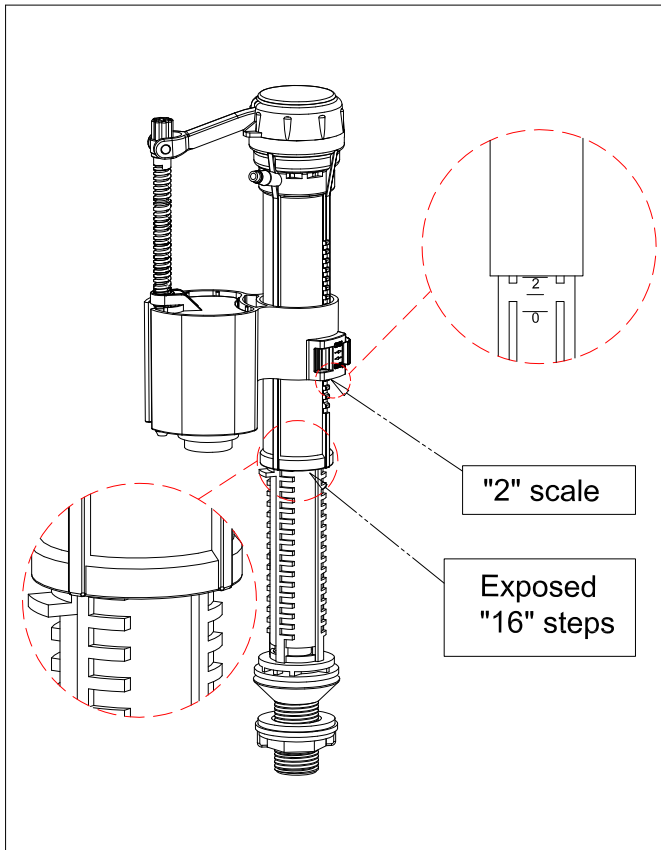
3: Dual Flush Button



Screw the push rods out of the button, and cut the push rods to a length of 207mm as shown in the diagram on the left hand side.

Adjustment Instructions for 4.5L full flush and 3L half flush

1: Inlet Valve

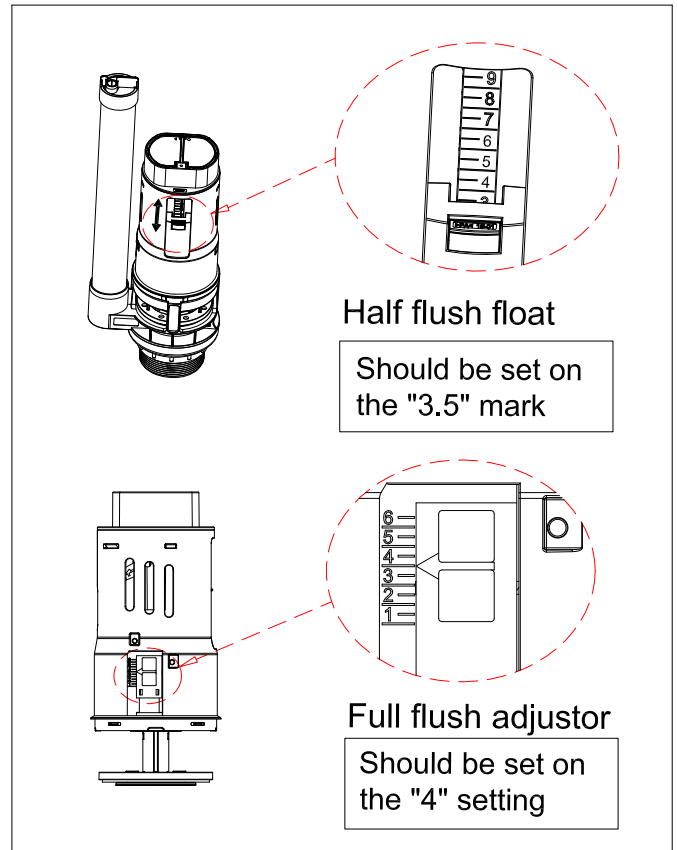


Note:

The Inlet Valve can be adjusted to suit the Cistern With Lid - 15.B.27349

The above diagram indicates the correct setting for 4.5L full flush and 3L half flush. For adjustment method, please refer to the installation instruction supplied with the cistern fittings.

2: Flush Valve

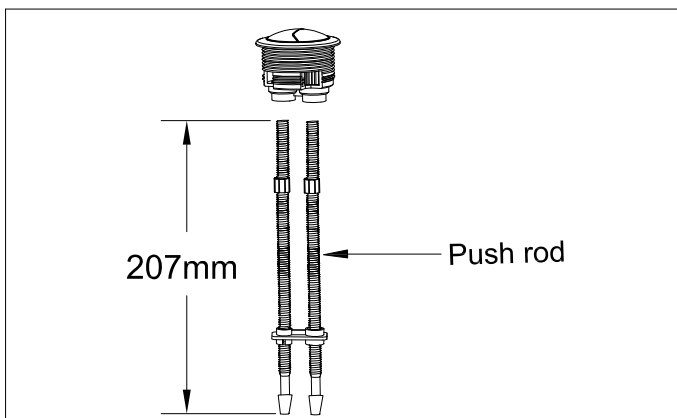


Note:

The Flush Valve can be adjusted to suit the Cistern With Lid - 15.B.27349

The above diagram indicates the correct setting for 4.5L full flush and 3L half flush. For adjustment method, please refer to the installation instruction supplied with the cistern fittings.

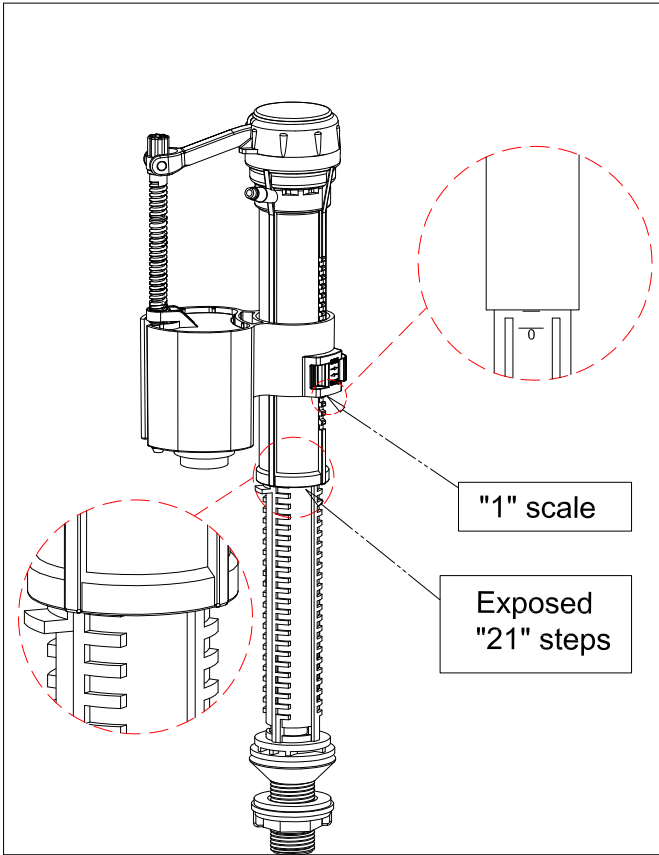
3: Dual Flush Button



Screw the push rods out of the button, and cut the push rods to a length of 207mm as shown in the diagram on the left hand side.

Adjustment Instructions for 6L full flush and 3L half flush

1: Inlet Valve

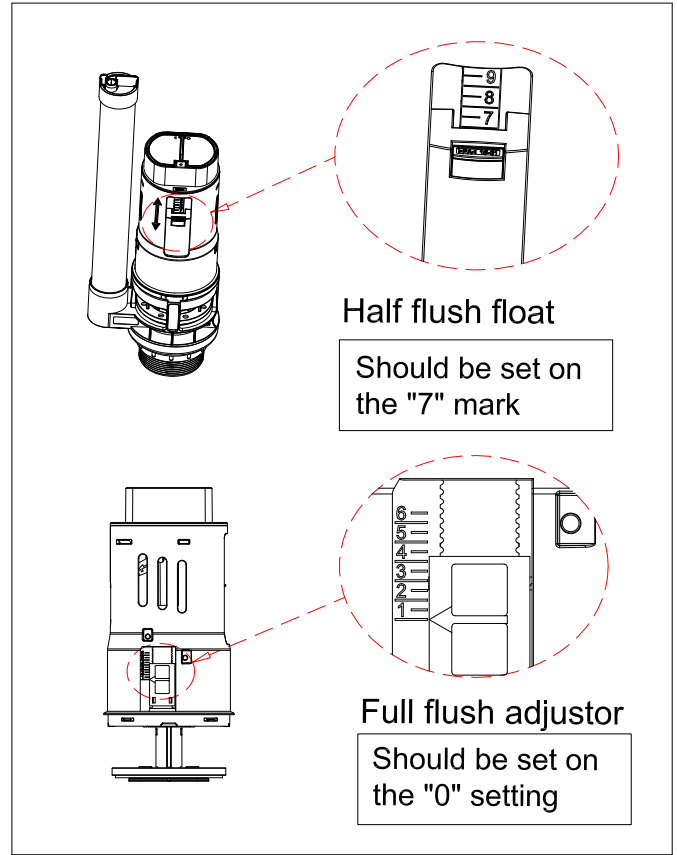


Note:

The Inlet Valve can be adjusted to suit the Cistern With Lid - SPH002

The above diagram indicates the correct setting for 6L full flush and 3L half flush. For adjustment method, please refer to the installation instruction supplied with the cistern fittings.

2: Flush Valve

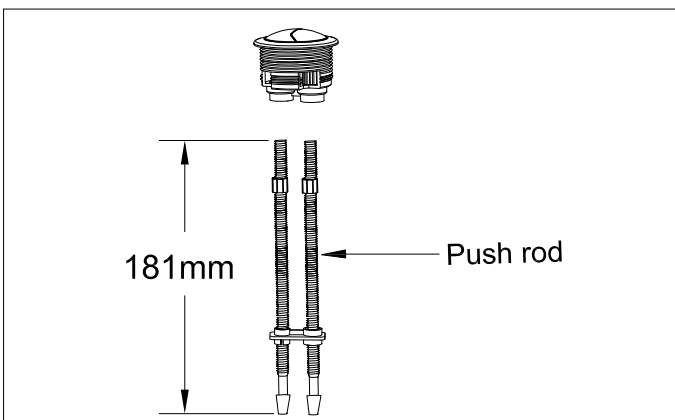


Note:

The Flush Valve can be adjusted to suit the Cistern With Lid - SPH002

The above diagram indicates the correct setting for 6L full flush and 3L half flush. For adjustment method, please refer to the installation instruction supplied with the cistern fittings.

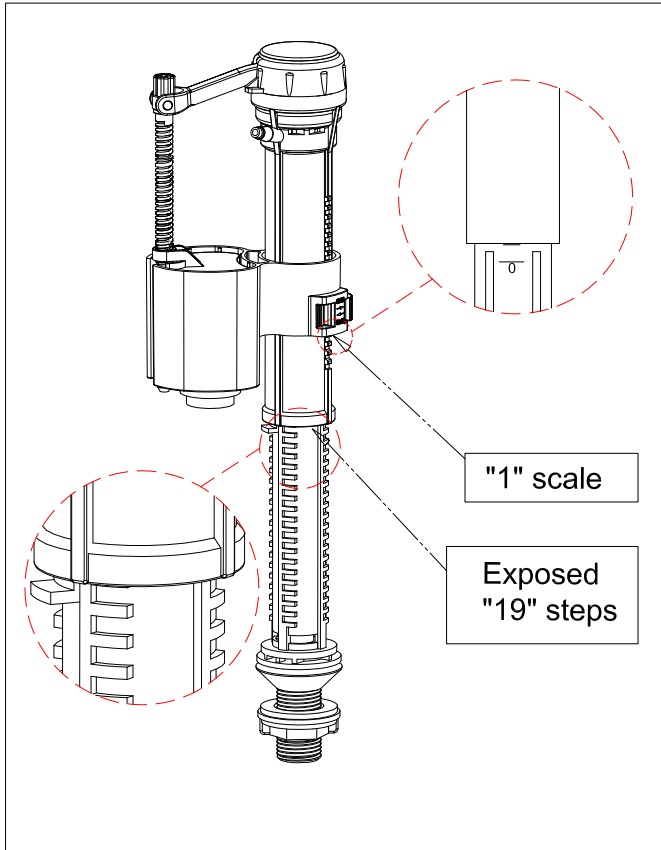
3: Dual Flush Button



Screw the push rods out of the button, and cut the push rods to a length of 181mm as shown in the diagram on the left hand side.

Adjustment Instructions for 4.5L full flush and 3L half flush

1: Inlet Valve

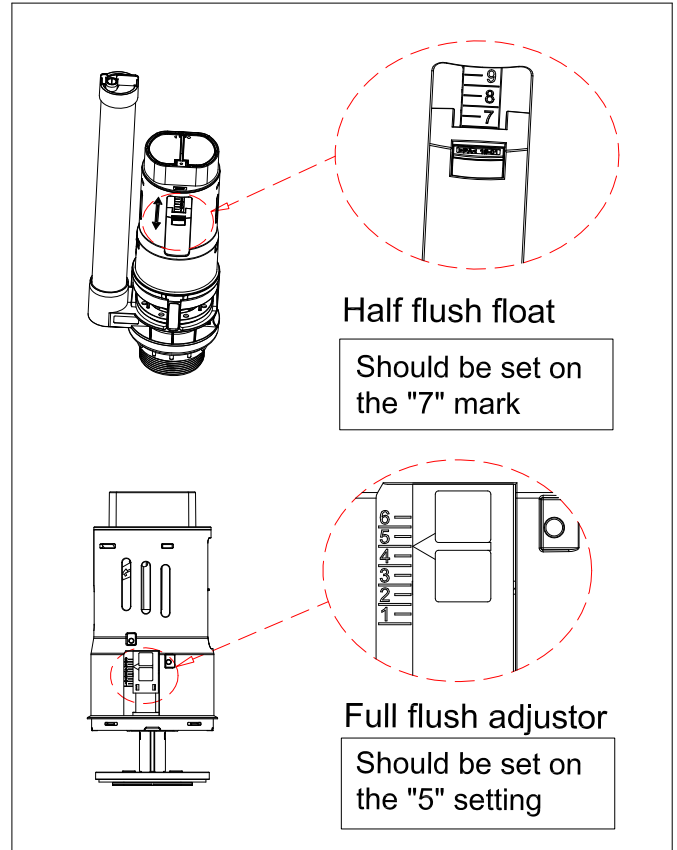


Note:

The Inlet Valve can be adjusted to suit the Cistern With Lid - SPH002

The above diagram indicates the correct setting for 4.5L full flush and 3L half flush. For adjustment method, please refer to the installation instruction supplied with the cistern fittings.

2: Flush Valve

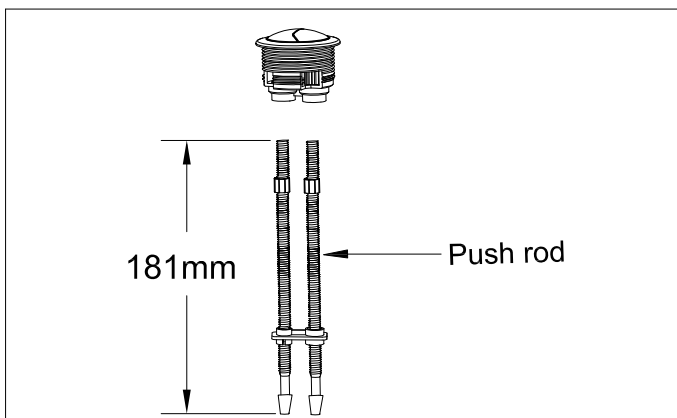


Note:

The Flush Valve can be adjusted to suit the Cistern With Lid - SPH002

The above diagram indicates the correct setting for 4.5L full flush and 3L half flush. For adjustment method, please refer to the installation instruction supplied with the cistern fittings.

3: Dual Flush Button



Screw the push rods out of the button, and cut the push rods to a length of 181mm as shown in the diagram on the left hand side.