

# PRODUCT DATA SHEET

# BRITTON<sup>®</sup>



## PRODUCT CODE

HK2056WG

## RANGE

Hackney

## DESCRIPTION

Hackney Link Unit 200 Gloss White

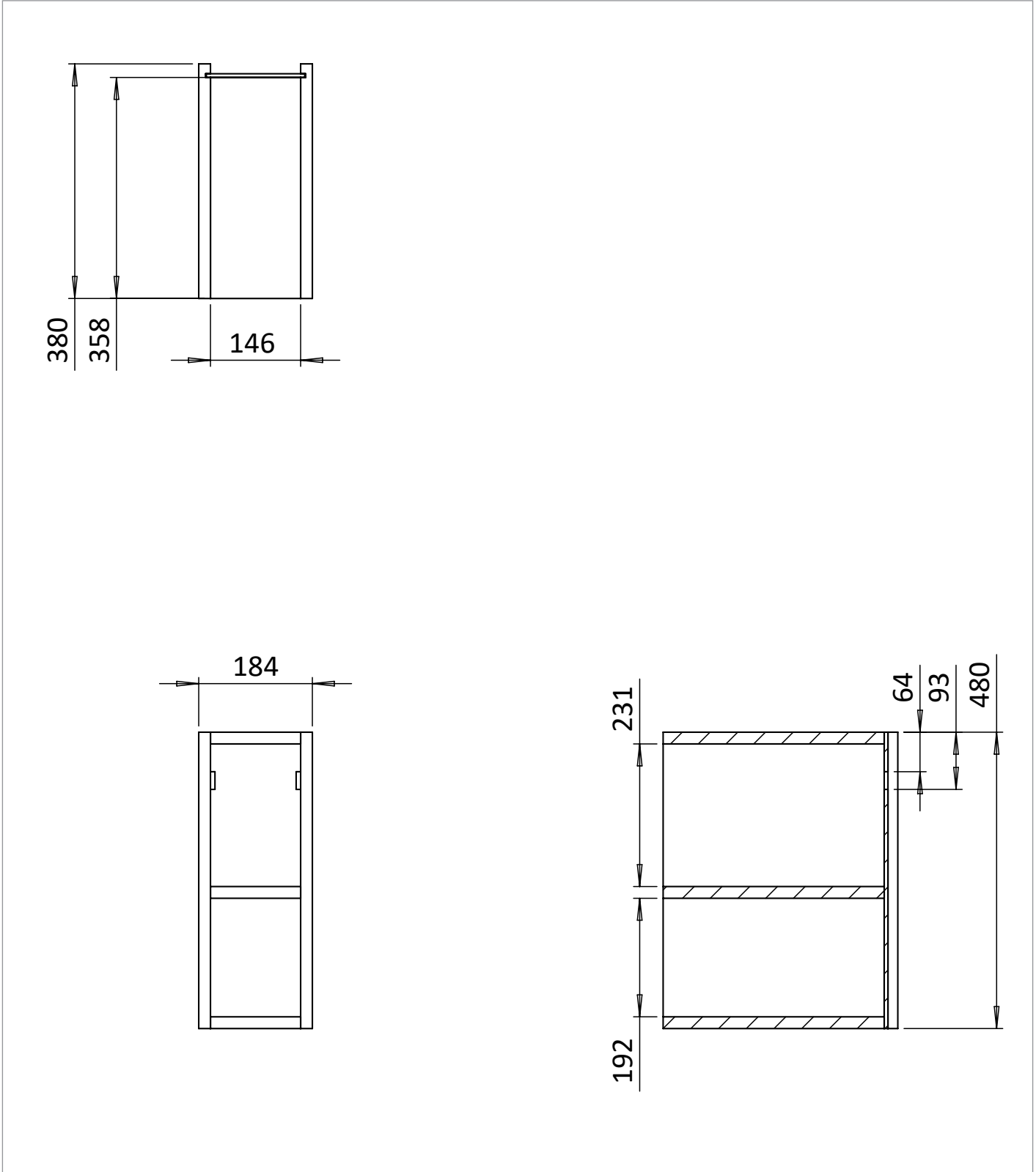
CATEGORY	Furniture
WARRANTY DETAILS	10 Years
COLOUR	Gloss White
FINISH APPLICATION	Lacquered
PRIMARY MATERIAL	Composite Board
INSTALL TYPE	Wall Mounted
PRODUCT WIDTH MM	184
PRODUCT HEIGHT MM	480
PRODUCT DEPTH MM	380
PRODUCT NET WEIGHT KG	9,8

COLOUR CODE / REFERENCE	RAL9016
DRAWER BOX	Board laminated
DRAWER RUNNERS	OBE HETTICH
WALL HANGERS	Yes
ADJUSTABLE FEET	No

**TECHNICAL DIMENSIONS**

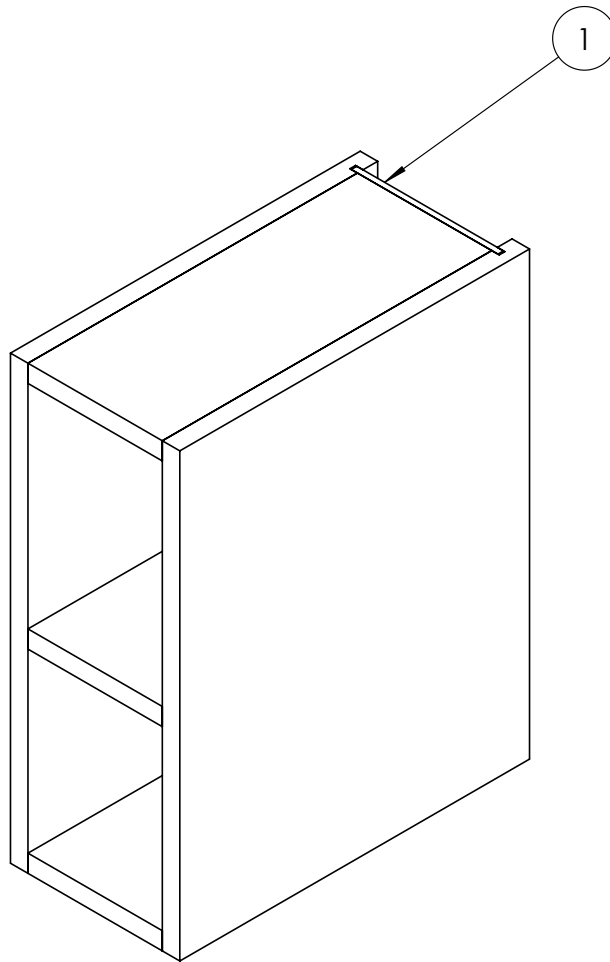
Dimensions in mm unless otherwise specified.

Tolerances (per material type) apply.



**SPARES LIST**

Only the parts labelled are available as spares.



NUMBER	PART CODE	DESCRIPTION
1	HANGERLINK_HACKNEY	Set of Wall Hangers for Hackney Link Unit