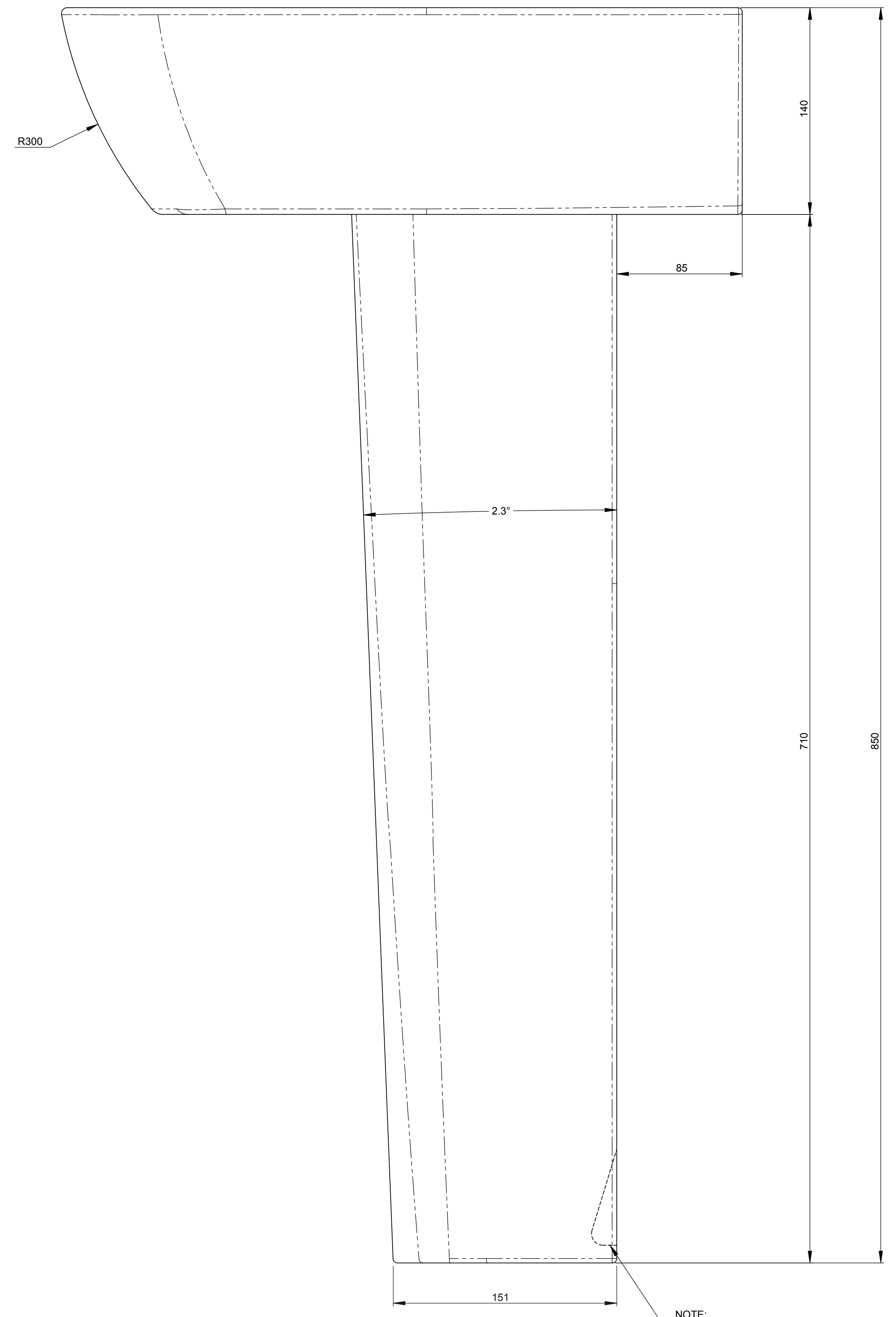
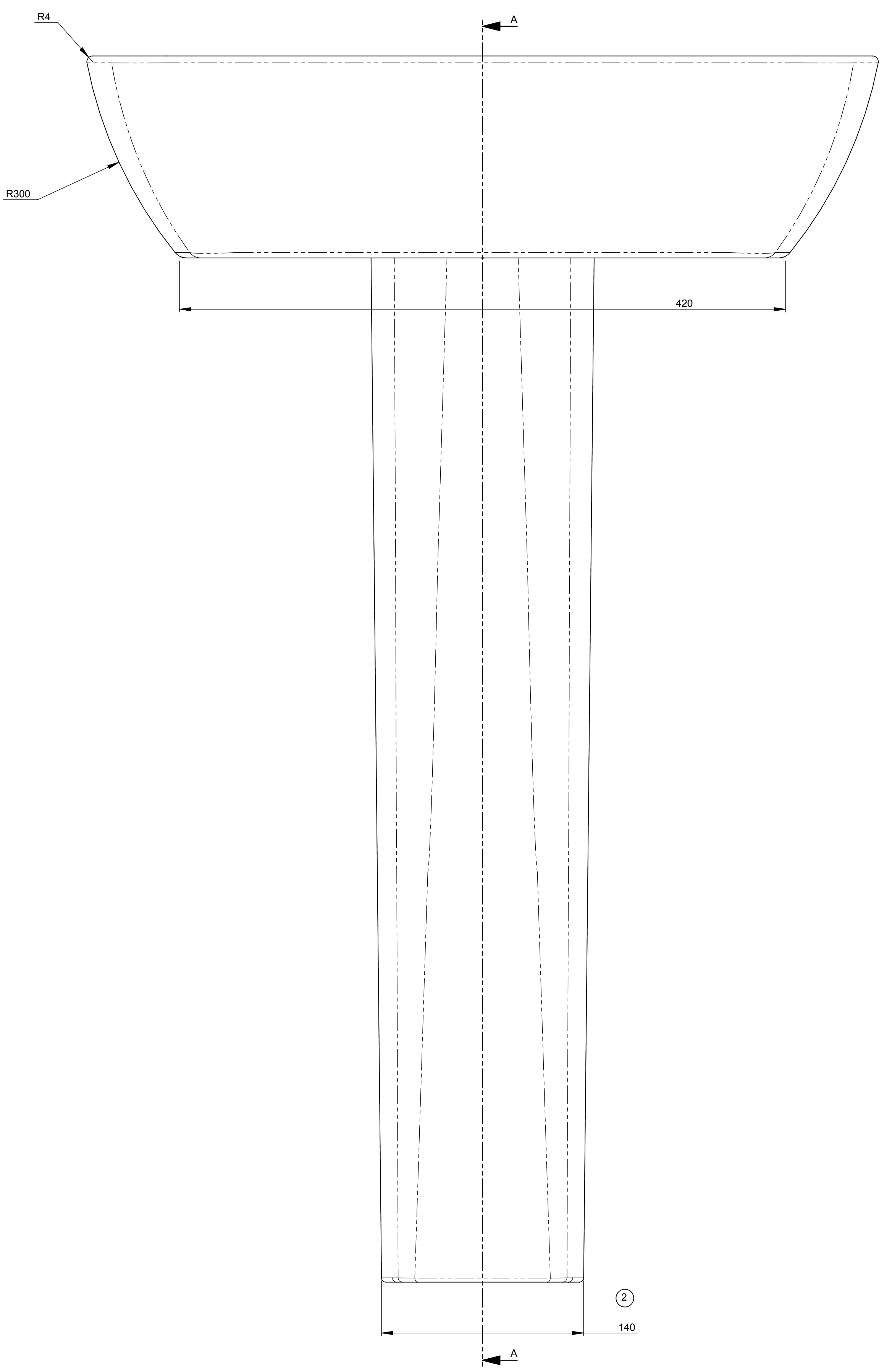
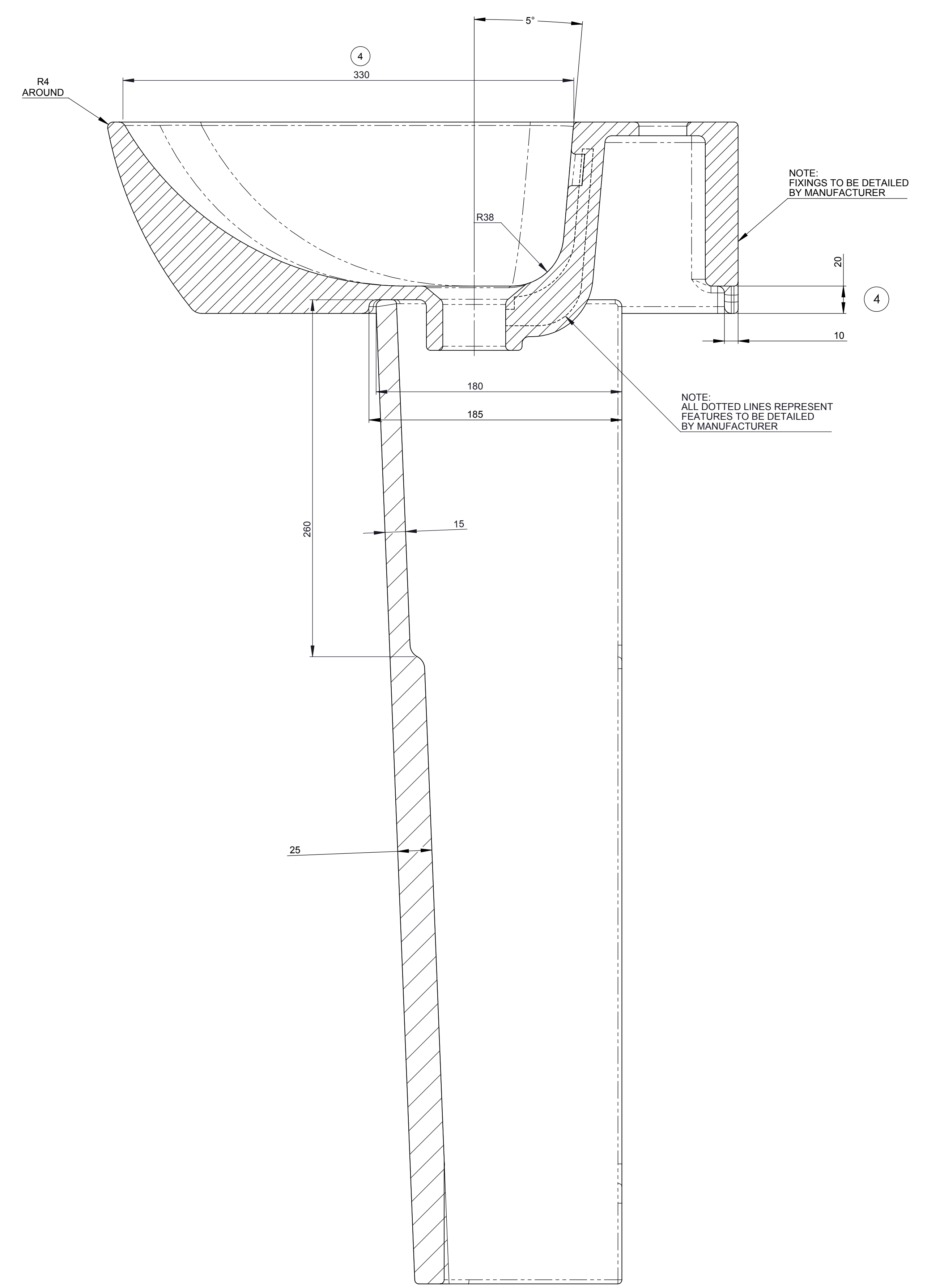


SECTION B-B



SECTION A-A



SECTION A-A

1. ALL FIXING AND TOOLING FEATURES TO BE DETAILED BY MANUFACTURER AND AGREED WITH CROSSWATER PRIOR TO PRODUCTION.

Iss No.	DESCRIPTION OF MODIFICATION	Date	By
6	3D CAD UPDATE	08/05	JS
5	TAP DECK WAS 100 NOW 120	05/03	BI
4	Screw Hole Detail	20/02	BI
3	DIM Ø 35.0 WAS Ø 32.0	16/09	BI
2	DIM Ø 23.0 WAS Ø 20.0 DIM 140.0 WAS 130.0	9/9/14	RB
1	Detailed Design Issue	10/07	BI

TOLERANCES EXCEPT WHERE OTHERWISE STATED	ALL DIMENSIONS TO BE IN UNLESS STATED
LINEAR DIMS 1 D.P. 2 D.P.	SURFACE FINISH (RA) UNLESS STATED
UP TO 75 ±0.2 ±0.1	✓
75 TO 120 ±0.3 ±0.2	✓
125 TO 150 ±0.4 ±0.3	✓
150 TO 200 ±0.5 ±0.4	✓
200 TO 300 ±0.6 ±0.5	✓
300 TO 500 ±0.8 ±0.7	✓
500 TO 1000 ±1.0 ±0.9	✓
ON ANGLES ±1.0° ±0.5°	DO NOT SCALE

Project: SOFT SQUARE


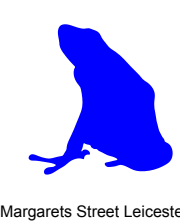
Description: 55cm BASIN & PEDESTAL

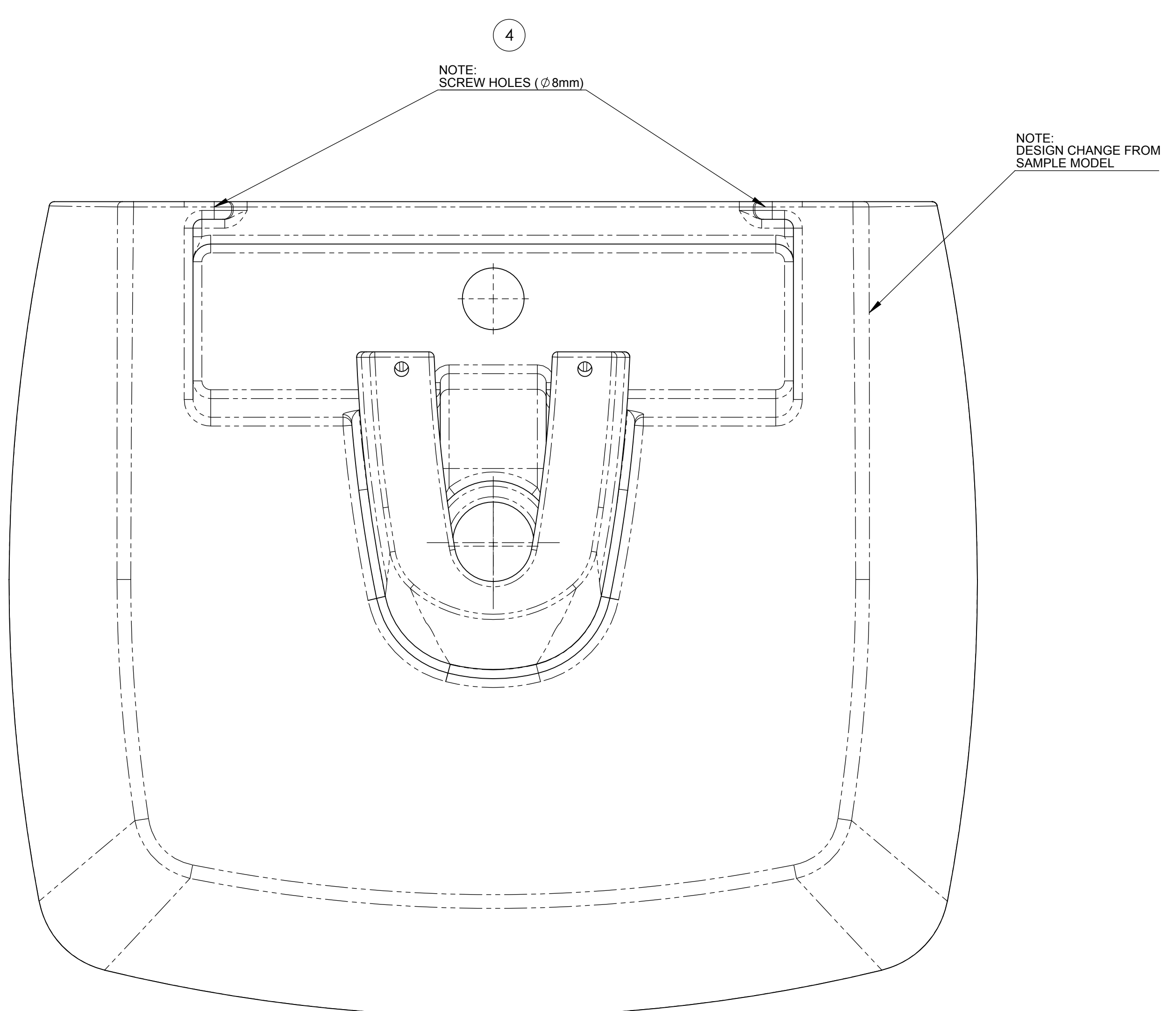
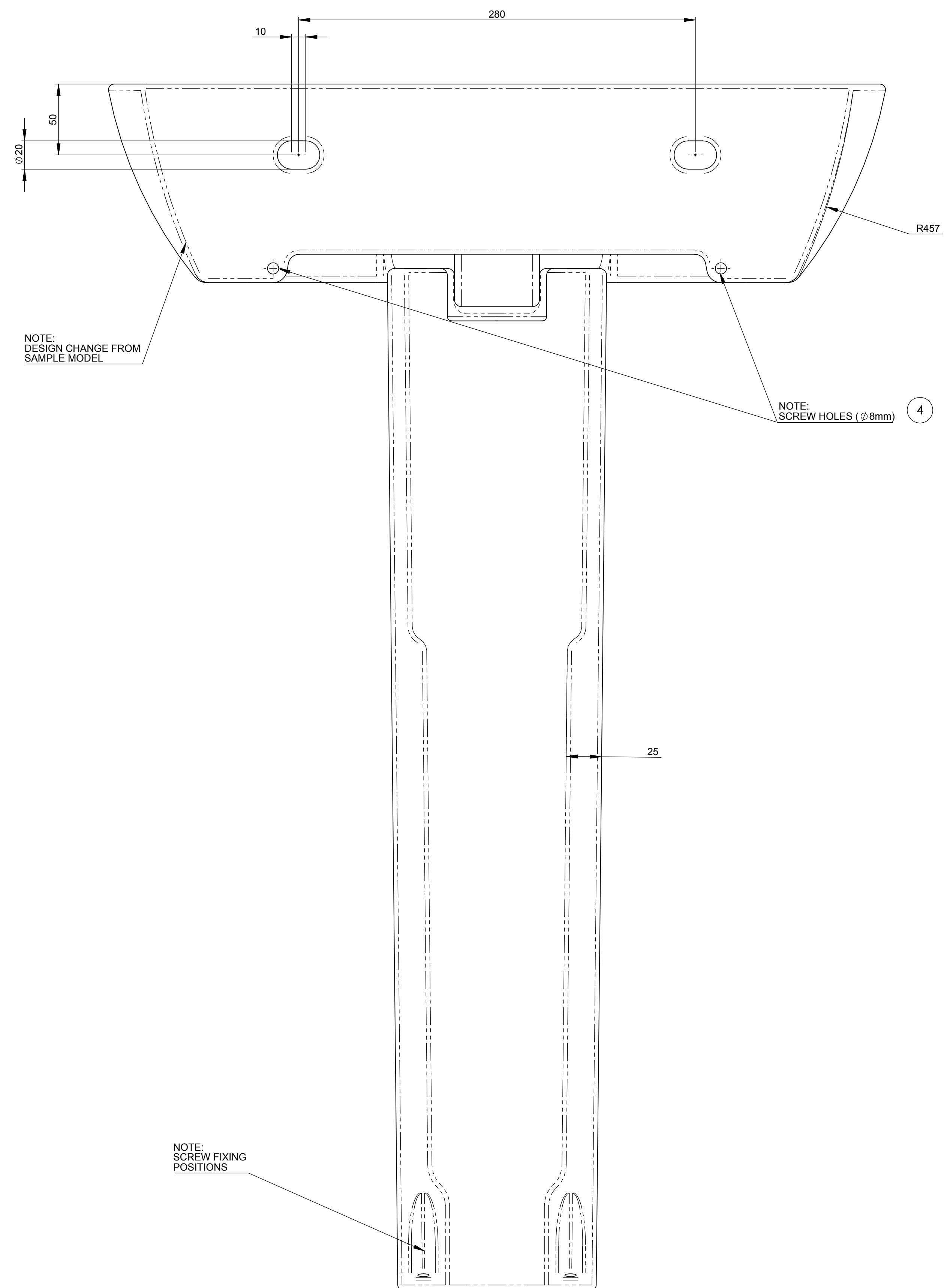
Scale: 1:2

Date: 10/07/2014

Drawn: B.IRVINE

Client: CROSSWATER



1. ALL FIXING AND TOOLING FEATURES TO BE DETAILED BY MANUFACTURER AND AGREED WITH CROSSWATER PRIOR TO PRODUCTION.

Iss No.	DESCRIPTION OF MODIFICATION	Date	By
6	3D CAD UPDATE	08/05	JS
5	TAP DECK WAS 100 NOW 120	05/03	BI
4	Screw Hole Detail	20/02	BI
3	DIM Ø35.0 WAS Ø32.0	16/09	BI
2	DIM Ø23.0 WAS Ø20.0 DIM 140.0 WAS 130.0	9/9/14	RB
1	Detailed Design Issue	10/07	BI

TOLERANCES EXCEPT WHERE OTHERWISE STATED		ALL DIMENSIONS TO BE IN mm UNLESS STATED	
LINEAR DIMS	1 D.P.	2 D.P.	
UP TO 75	+0.2	+0.1	
75 TO 150	+0.3	+0.2	
150 TO 300	+0.4	+0.3	
300 TO 600	+0.5	+0.4	
600 TO 900	+0.6	+0.5	
900 TO 1500	+0.8	+0.7	
ON ANGLES	+1.0°	+0.0°	

Project: SOFT SQUARE

Description: 55cm BASIN & PEDESTAL

Scale: 1:2

Date: 10/07/2014

Drawn: B.IRVINE

Client: CROSSWATER

Copyright: COPYRIGHT IN THIS DESIGN AND THIS DRAWING IS THE PROPERTY OF BLUEFROG DESIGN

Bluefrog Design

10 St Margarets Street Luton, LU1 3EG
 Tel: 01525 200012 Fax: 01525 200017
 Email: info@bluefrogdesign.co.uk