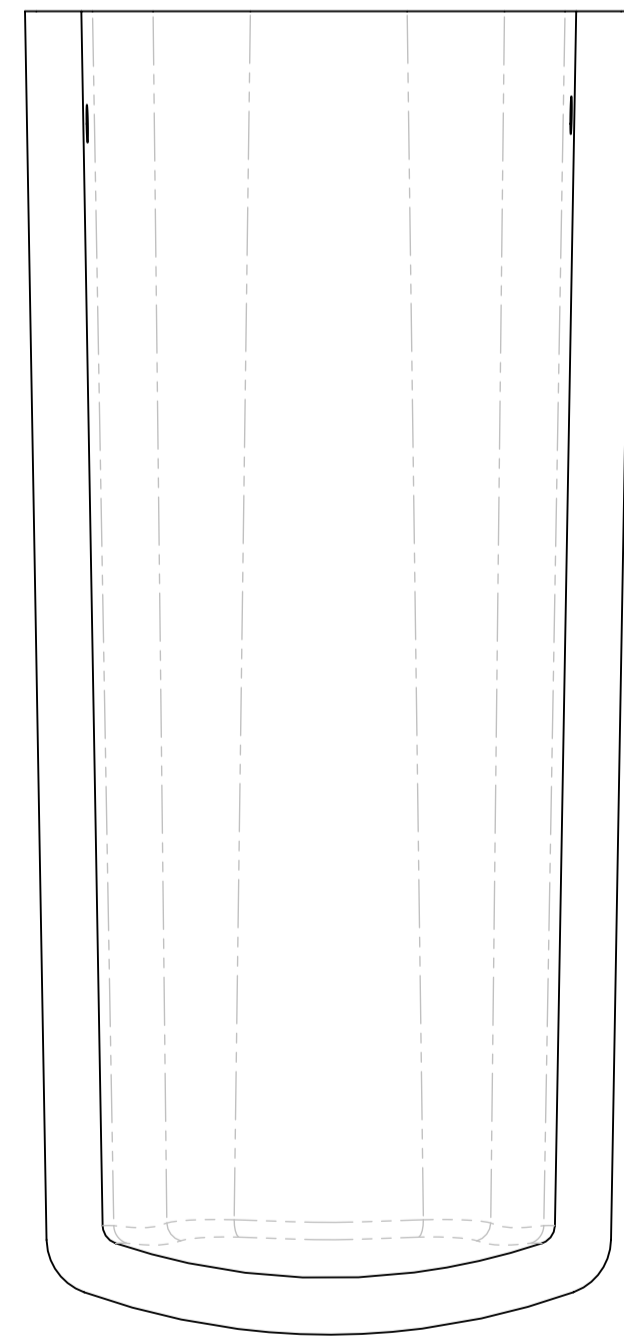
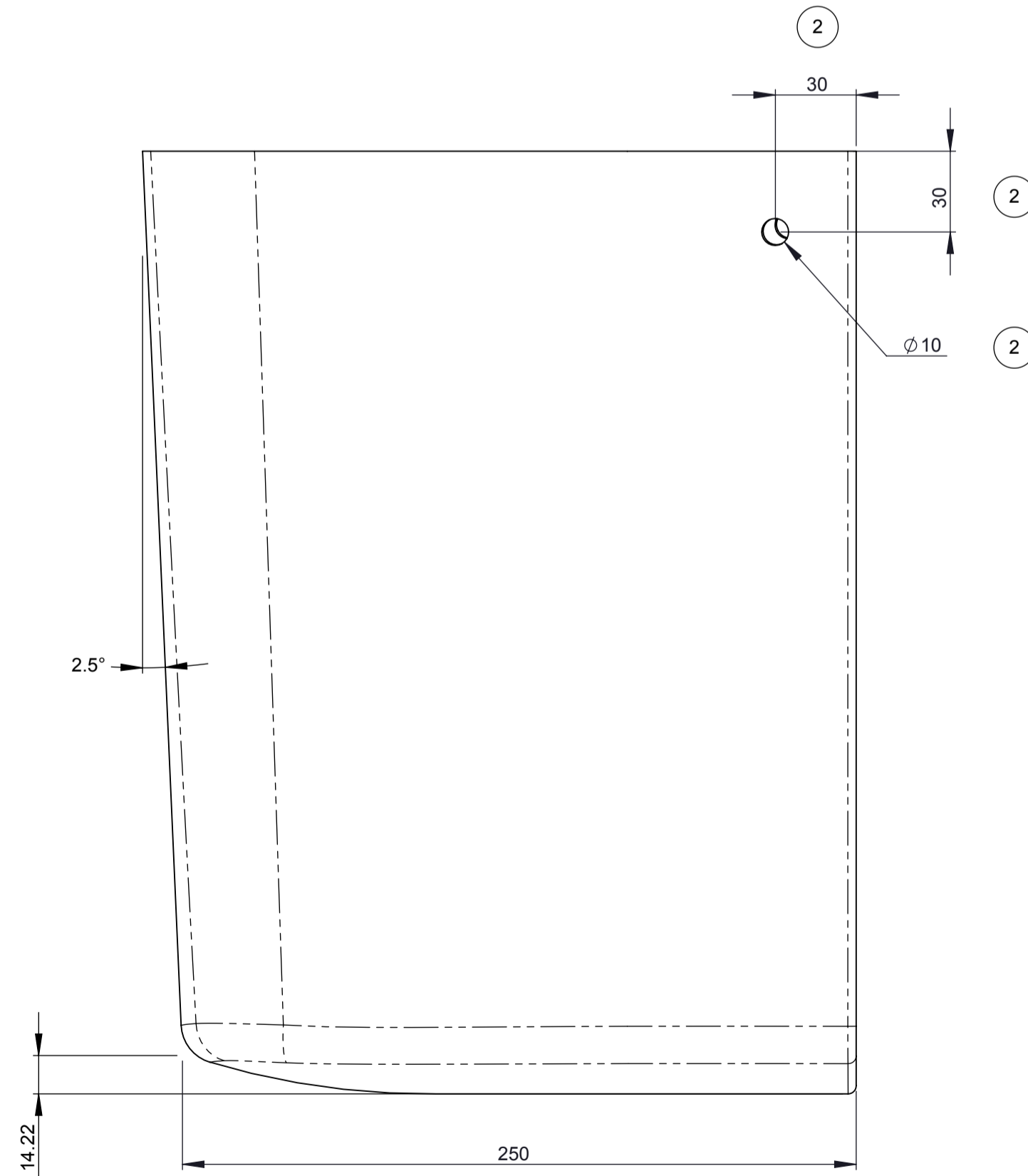
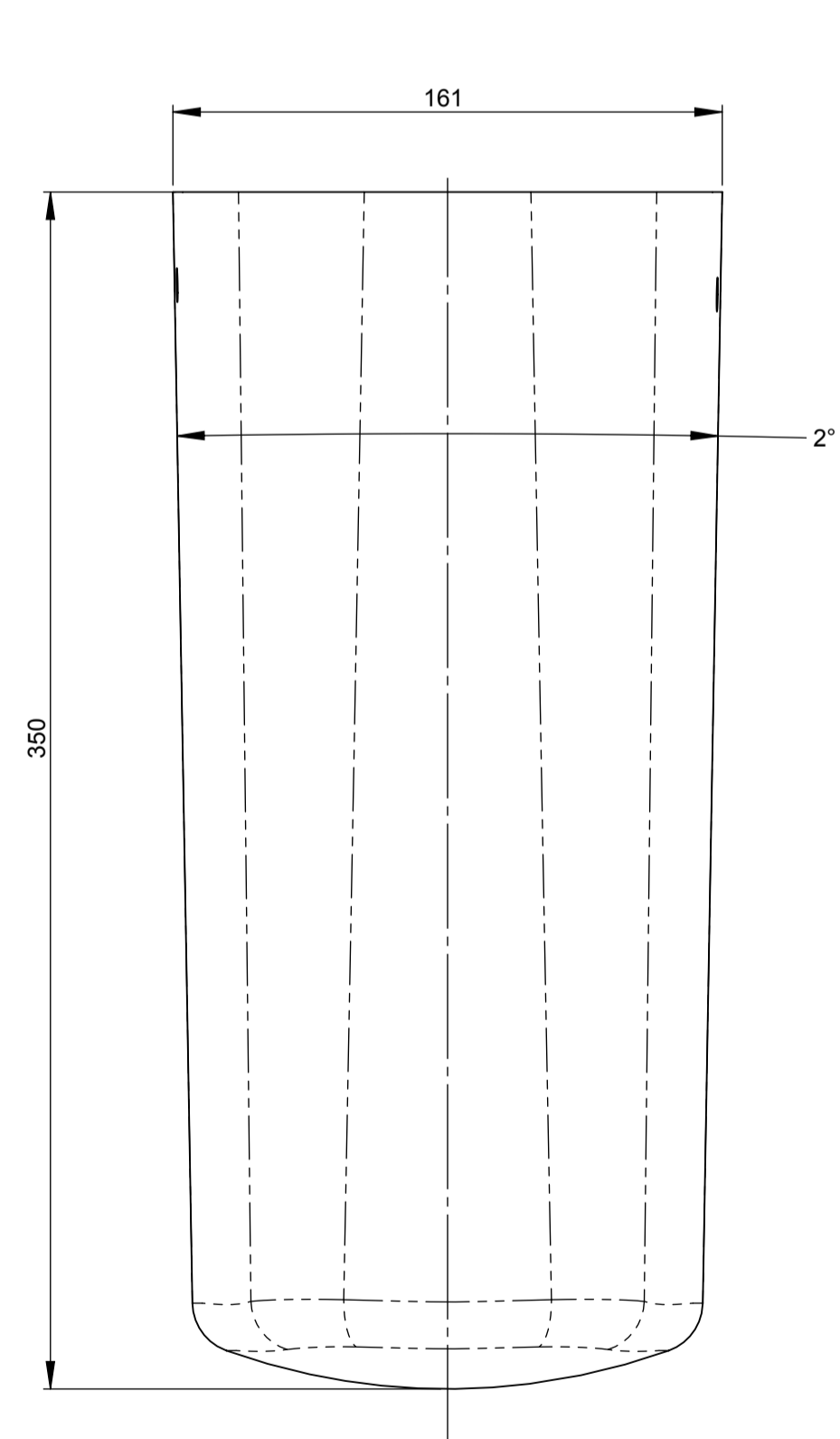
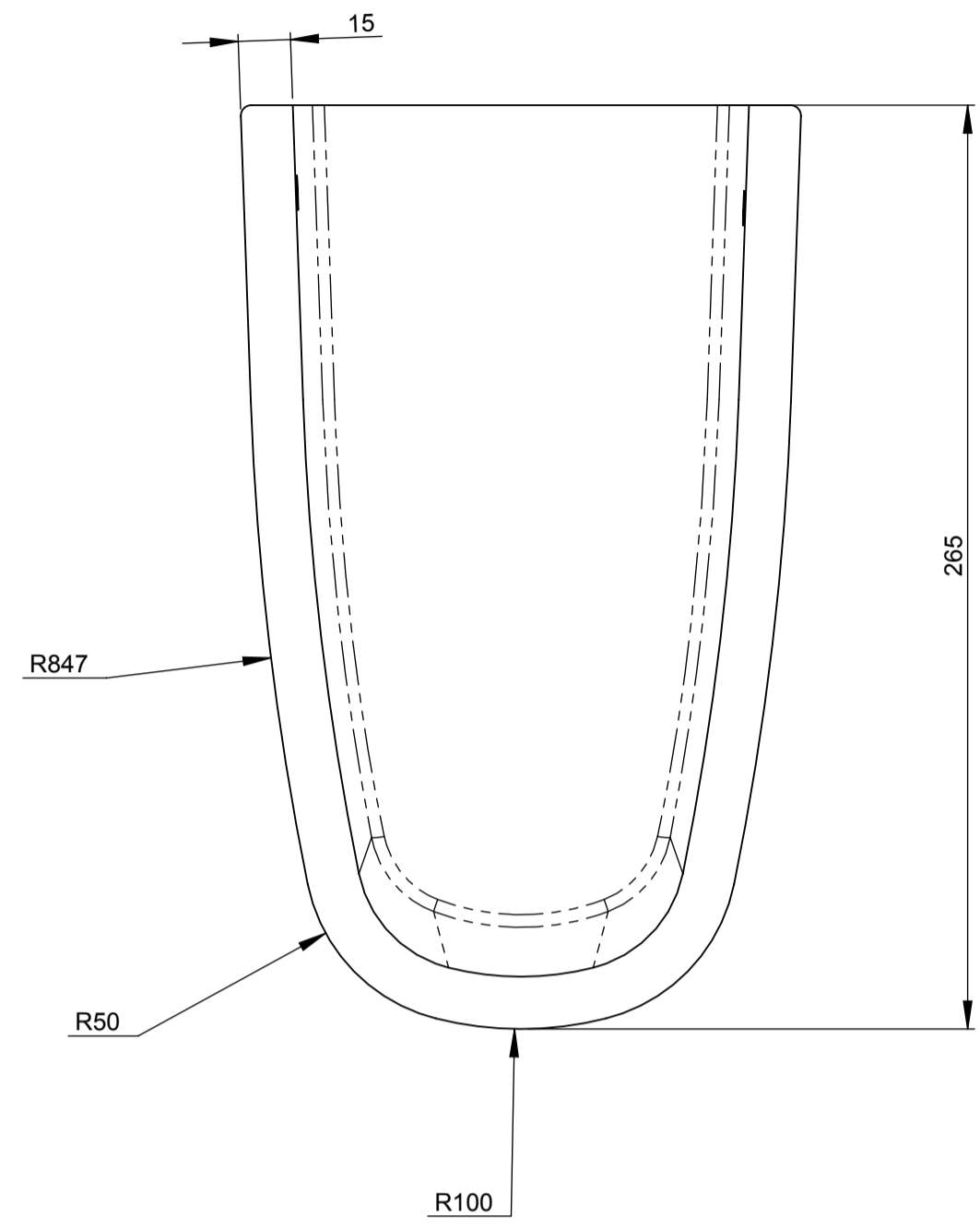


1. ALL FIXING AND TOOLING FEATURES TO BE DETAILED BY MANUFACTURER AND AGREED WITH CROSSWATER PRIOR TO PRODUCTION.



2	VIEWS REMOVED DIM 30.0 ADDED DIM Ø 10 ADDED	9/9/14	RB
1	Detailed Design Issue	21/07	BI

Iss No.	DESCRIPTION OF MODIFICATION	Date	By
---------	-----------------------------	------	----

TOLERANCES EXCEPT WHERE OTHERWISE STATED		ALL DIMENSIONS TO BE IN mm UNLESS STATED	
LINEAR DIMS	1 D.P.	2 D.P.	
UP TO 10	+0.2	+0.1	
>10 UP TO 100	+0.3	+0.2	
>100 UP TO 200	+0.4	+0.3	
>200	+0.25%	+0.15%	
ON ANGLES	+/-1.0°	+/-0.5°	
SURFACE FINISH (Ra) UNLESS STATED		DO NOT SCALE	

Project: SOFT SQUARE

Description: SEMI PEDESTAL

Scale: 1:2

Date: 21/07/2014

Drawn: B.IRVINE

Client: CROSSWATER

bluefrog design

COPYRIGHT IN THIS DESIGN AND THIS DRAWING IS THE PROPERTY OF BLUEFROG DESIGN

19 St Margaret's Street Leicester LE1 3EB
+44 (0)116 2530612 +44 (0)116 2626737
mail@bluefrogdesign.co.uk

Drawing Number: 775.01.12	Sht 1 Of 1
-------------------------------------	-----------------------------