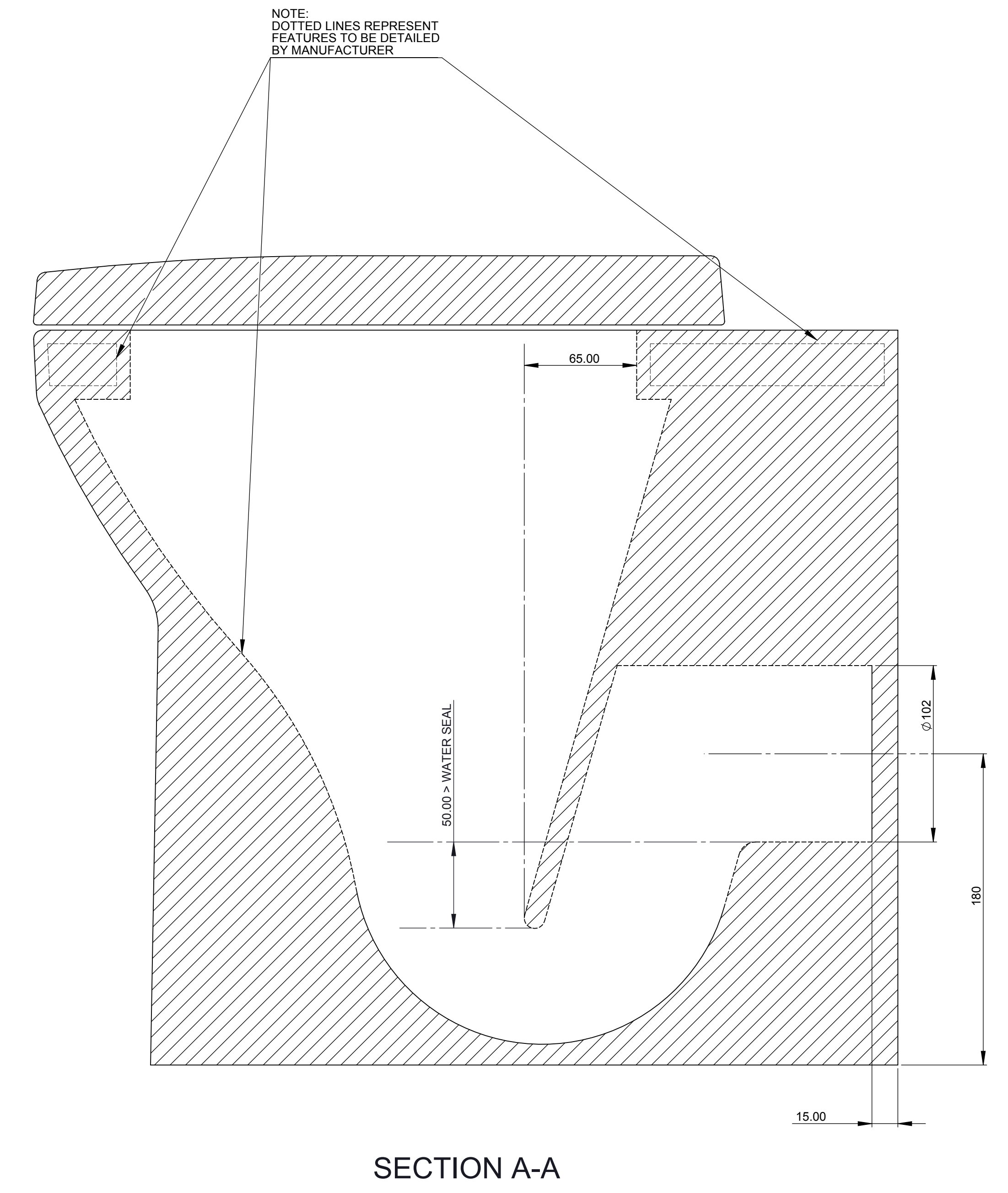
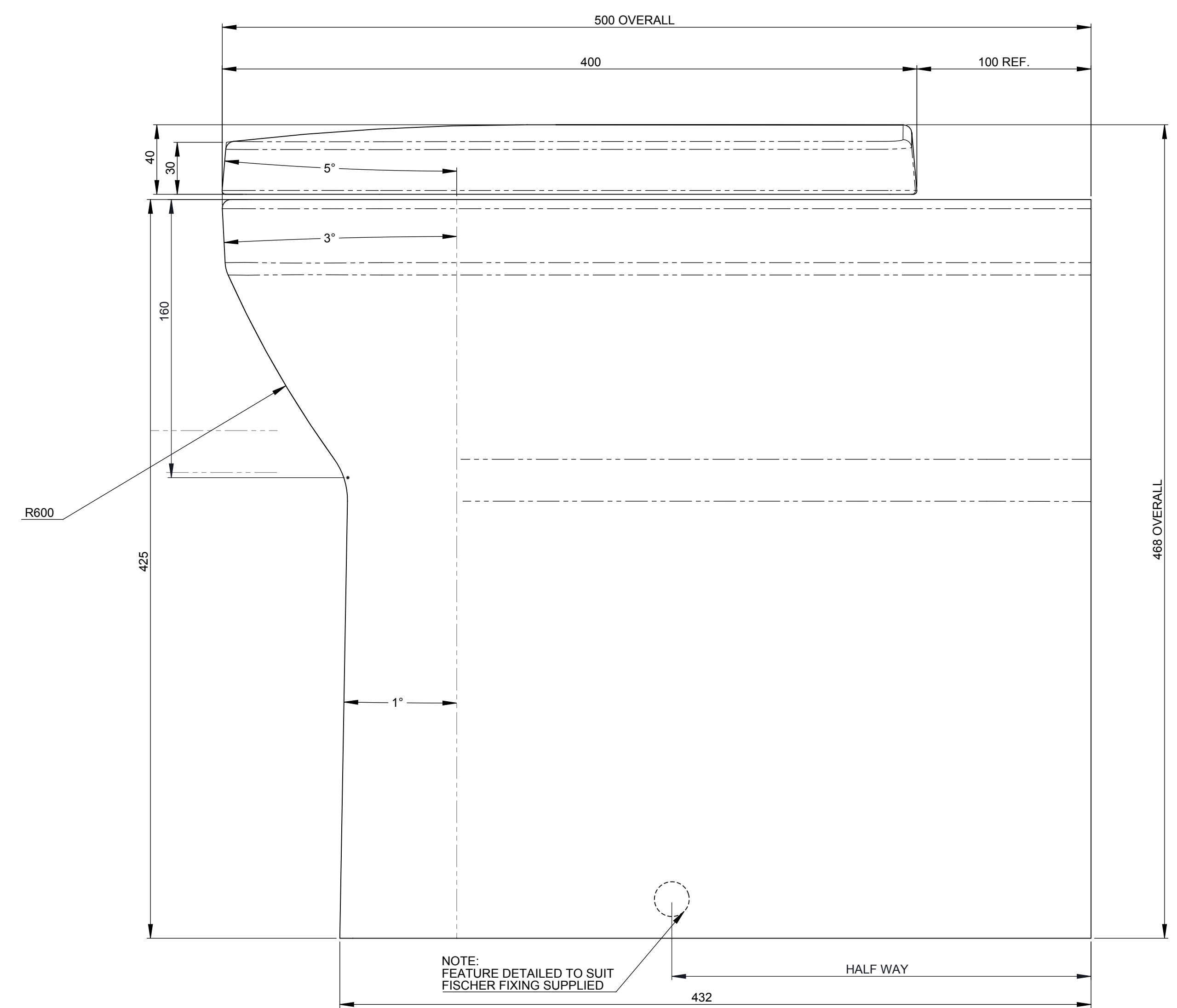
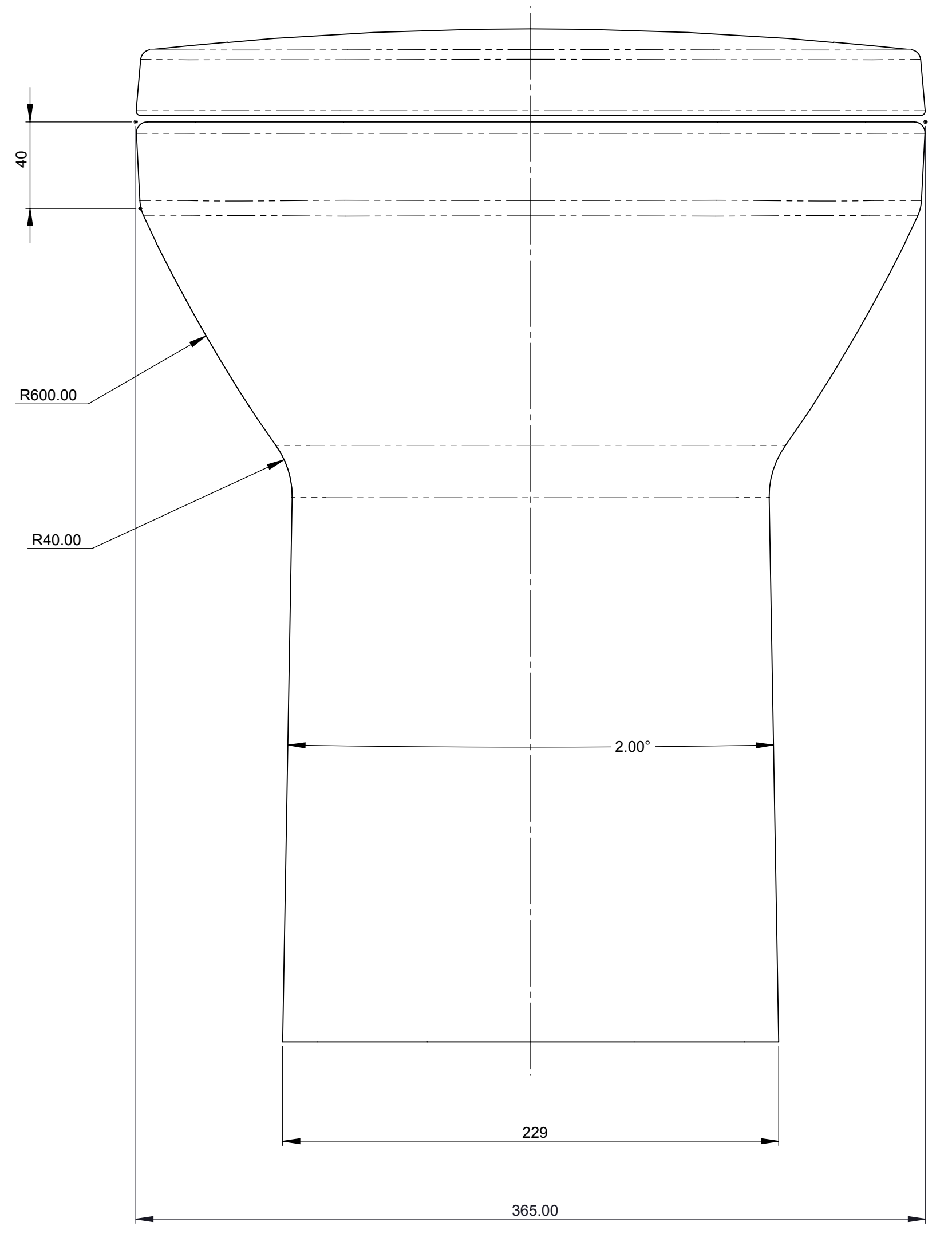
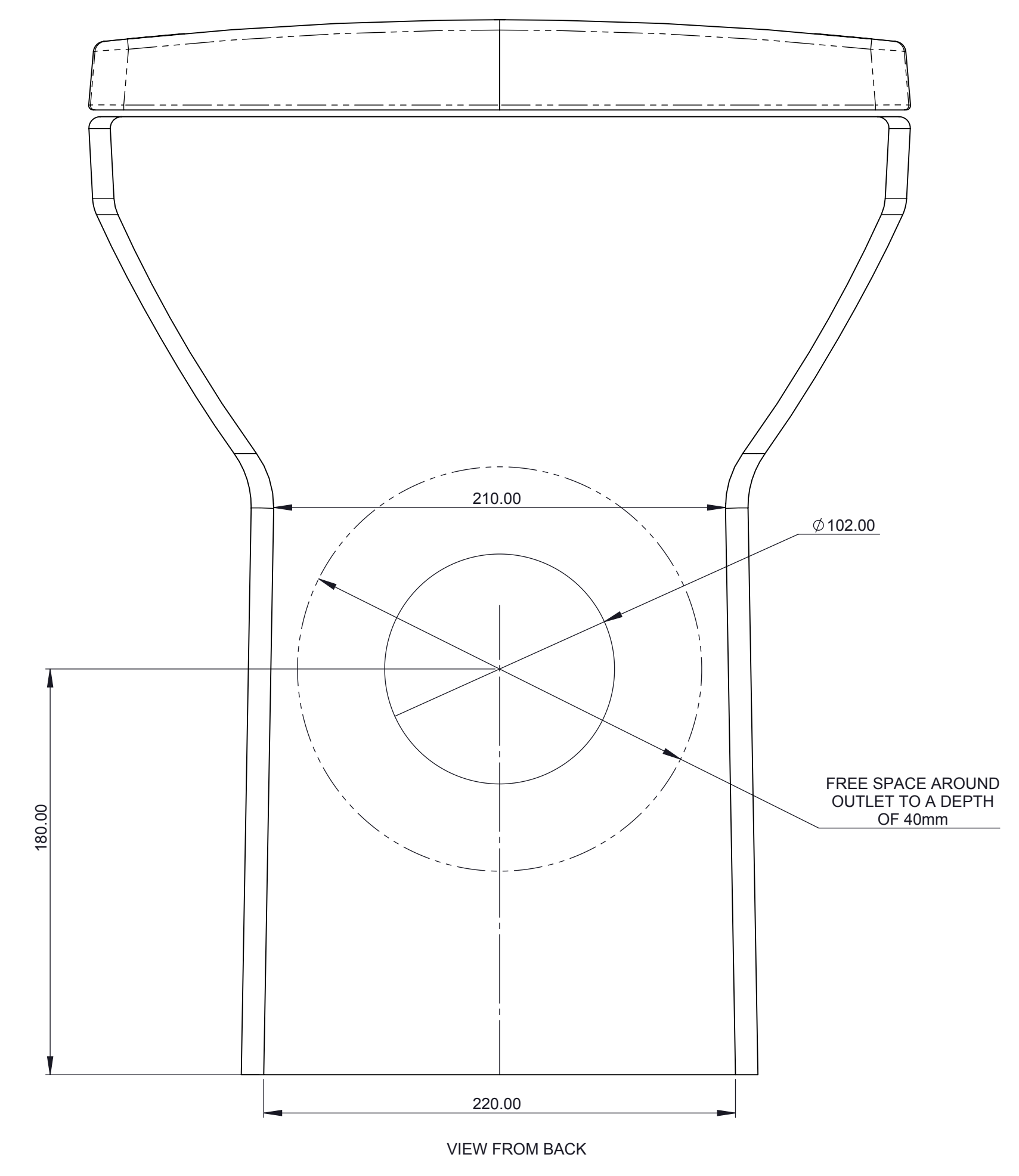
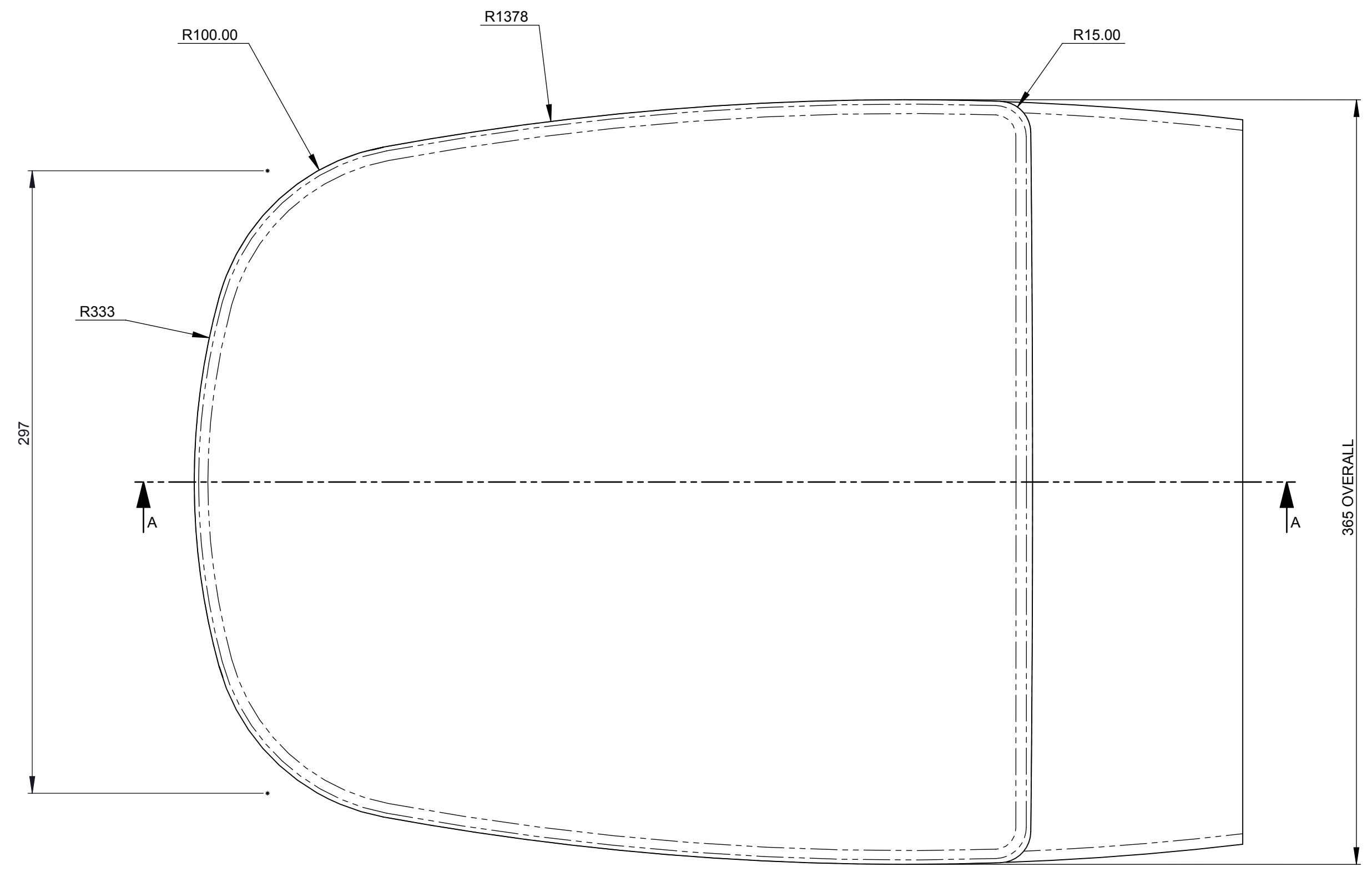


1. ALL FIXING AND TOOLING FEATURES TO BE DETAILED BY MANUFACTURER AND AGREED WITH CROSSWATER PRIOR TO PRODUCTION.



3	3D CAD UPDATE	8/5/15	RB
2	VIEWS ADDED	9/9/14	RB
1	Detailed Design Issue	10/07	BI

Iss No.	DESCRIPTION OF MODIFICATION	Date	By

Project: SOFT SQUARE

Description: BACK TO THE WALL PAN & HIDDEN CISTERN

Scale: 1:2

Date: 10/07/2014

Drawn: B.IRVINE

Client: CROSSWATER

Copyright in this design and this drawing is the property of BLUEFROG DESIGN

10 St Margarets Street Leicester LE1 2EQ
 +44 (0)1533 200012 +44 (0)1533 200077
 mail@bluefrogdesign.co.uk